

ARV AND VSA SERIES VENTURIES

Vacuum Products | Features and Specifications

ARV® Series Auto-Release Venturi Cup Mount

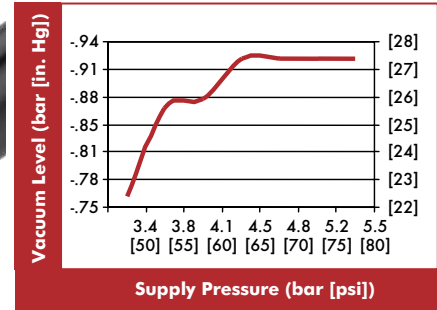
Requiring (1) air line, (1) valve:

Offers integrated automatic quick panel release and exhaust silencer in one part. Mounting options include right or left hand apple core mounting or no apple core mount for use with DESTACO's spring cup mounts.

The ARV® Series is also available in a block style for remote mounting and each mount can be ordered with Imperial or Metric ports.



ARV® Performance:



Specifications @ 4 bar [60psi]:

Speed to Vacuum: 0.2-0.3 seconds

Speed to Release: 0.02 seconds

Air Consumption:

Vacuum: 40 l/m [1.4 scfm]

Blow-off: 0

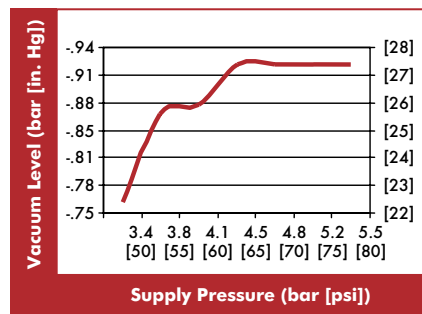
Noise Level (at one meter): 68dBA

Material: Aluminum

VSA Series Venturi Cup Mount



VSA Performance:



Specifications @ 4 bar [60psi]:

Speed to Vacuum: .36 seconds

Speed to Release: 0.08 seconds

Air Consumption:

Vacuum: 40 l/m [1.4 scfm]

Blow-off: 2.6 liters [0.09 ft³]

(156 l/m [5.5scfm] @ 1 sec. duration)

Noise Level (At one meter):

Inline to exhaust: 76dBA

Inline to exhaust with Silencer: 68dBA

Material: Aluminum

Blow-off typically requires two air lines and multiple valves. The VSA series offers a low-profile version as shown. Additional options include silencer and sensor port options. Mounting threads can also be ordered in Imperial or Metric ports.

We also offers PA Series cup mounts.

ARV SERIES VENTURIES

Vacuum Products | Dimensions | Ordering Information



Left Hand Apple Core
CPI-VSA-ARVL-750-(X)
114g [0.25lb]



Right Hand Apple Core
CPI-VSA-ARVR-750-(X)
114g [0.25lb]



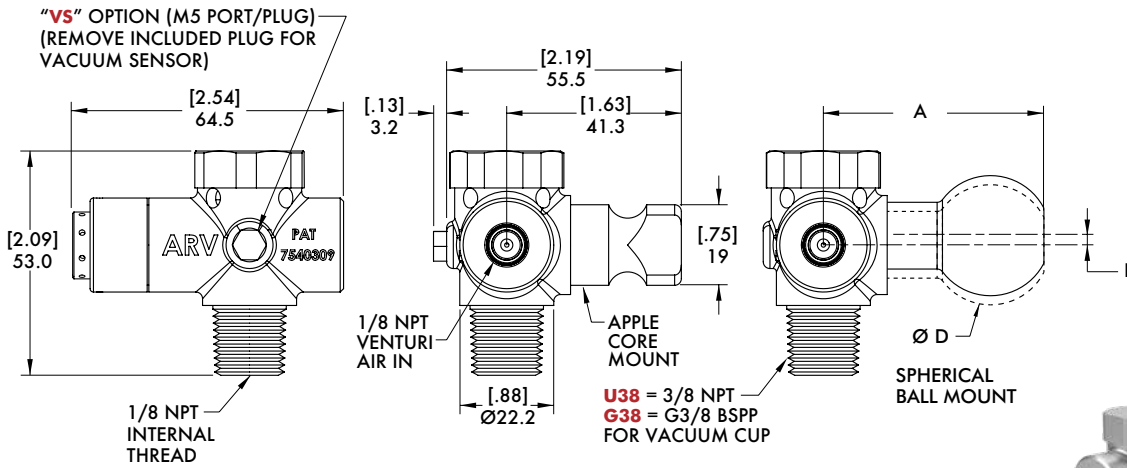
Without Apple Core
CPI-VSA-ARV-000-(X)
86g [0.19lb]



RH/LH Spherical Ball
CPI-VSA-ARV(R/L)-B112-(X)
CPI-VSA-ARV(R/L)-B32-(X)



(X)
Mounting Thread
U38 = 3/8" NPT Male
G38 = 3/8" G Male



Vacuum Sensor Option
Add "-VS" to end of "ARV" order code

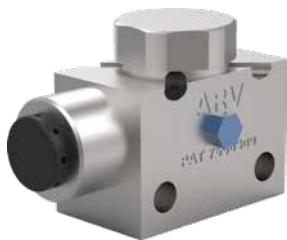


B112-01
28.58mm ball only
B112-32-01
32mm ball only

US Patents #7,540,309 - 7,681,603 - 7,950,422

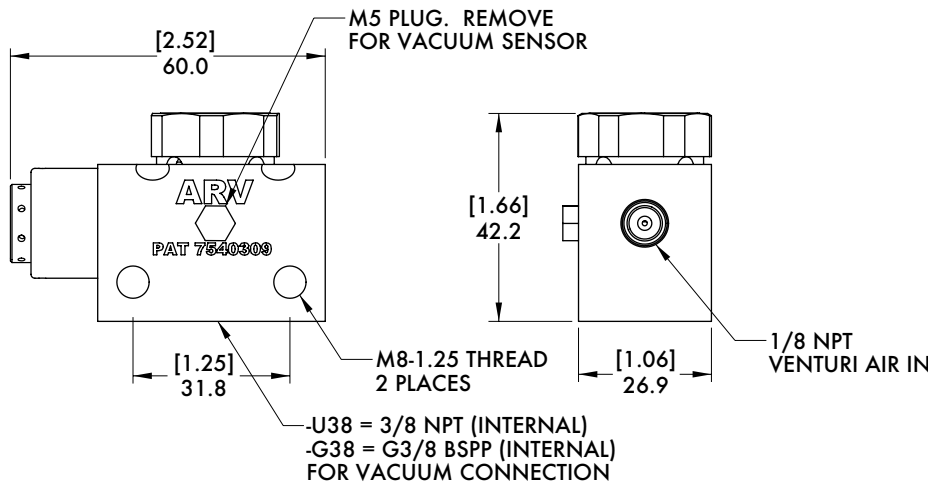
Model Number	A	B	ØD	Weight
CPI-VSA-ARV(R/L)-B112-(X)	[1.85] 47.1	0	[1.13] 28.5	[0.28 lb] 126g
CPI-VSA-ARV(R/L)-B32-(X)	[1.93] 49	[0.12] 3.2	[1.26] 32	[0.30 lb] 134g

Venturi Style Vacuum Generator Cup Mounts ARV® Block Style Dimensions and Ordering Information



Block Style
CPI-VSA-ARVR-312-(X)
(X) = Vacuum Port Thread
U38 = 3/8" NPT Female
G38 = 3/8" G Female

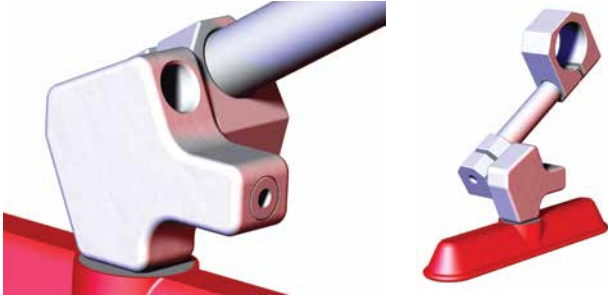
Weight
104g [0.23lb]



MICRO TOOLING VENTURI

Vacuum Products | Dimensions | Technical Specifications

VSA 500 Series MicroTool Apple Core

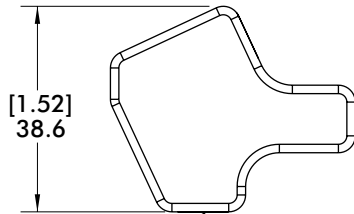
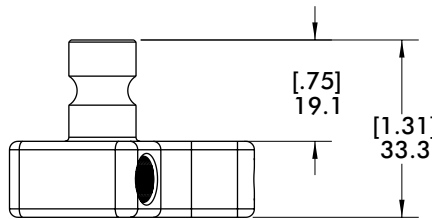


Features:

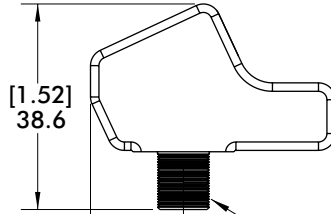
- MicroTool sized venturi.
- 1/8 NPT, 1/8 G Ports.

Benefits:

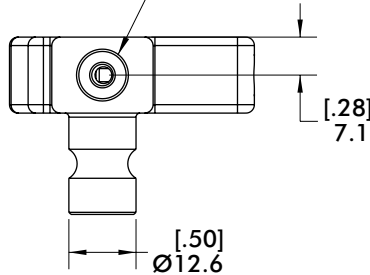
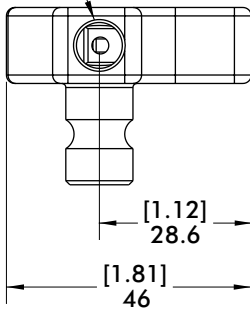
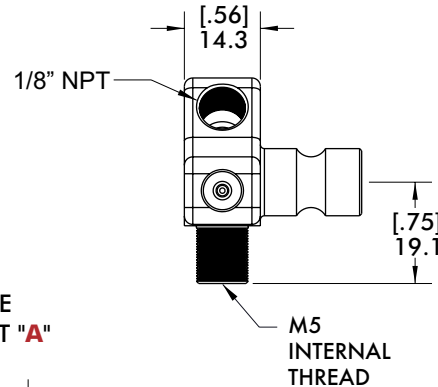
- Small and lightweight.
- Convenient mounts for most small vacuum cups.



FEMALE PORT "A"





MALE PORT "A"



Weight
57g [2 oz.]

500 Series Venturi MicroTool - CPI-VSA-500-"A"

Description	Port A
 Female 1/8" NPT to Female 1/8" NPT	F18
 Female 1/8" NPT to Male 1/8" NPT	M18

US Patents # 7,540,309 - 7,681,603 - 7,950,422

VSA SERIES VENTURIES

Vacuum Products | Dimensions | Technical Specifications

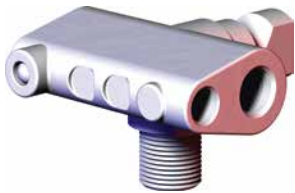
VSA Low-Profile 750/19 Series Apple-Core with Blow-Off

Features:

- Low profile construction.
- Integrated blow-off.
- Optional vacuum sensing port.
- Optional exhaust silencer.
- Imperial or Metric ports.

Benefits:

- Lower tool profile to fit in smaller spaces.
- Quick release of panels.
- Vacuum level or part present sensing.
- Quiet operation.



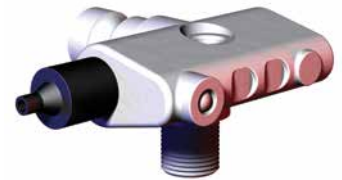
Low-Profile 750/19 w/
Blow Off No Options
CPI-VSA-(X)-BO-LP



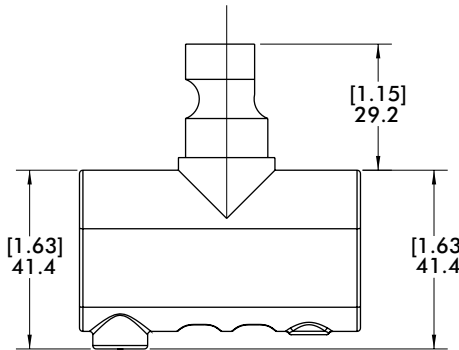
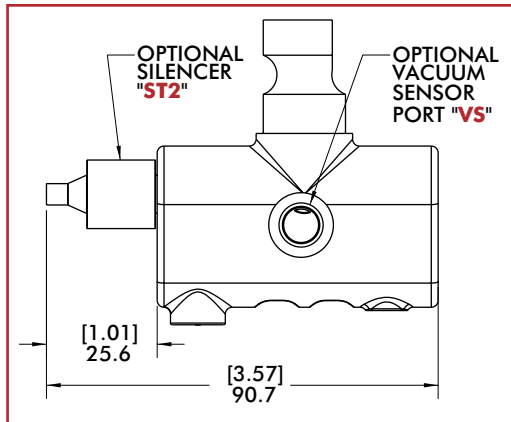
Low-Profile 750/19 with
Blow Off with Detector Option
CPI-VSA-(X)-BO-LP-DET



Low-Profile 750/19 with
Blow Off with "VS" Option
CPI-VSA-(X)-BO-LP-VS



For Silencer Option;
add "ST2" to the end
of order code (as shown).
CPI-VSA-(X)-BO-LP-VS-ST2



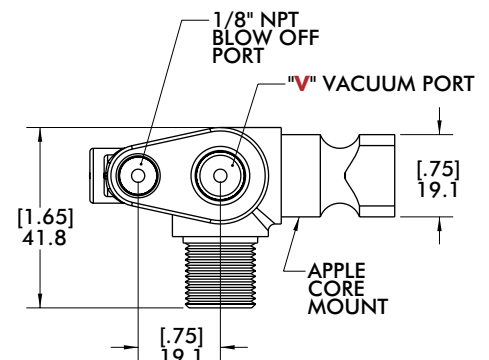
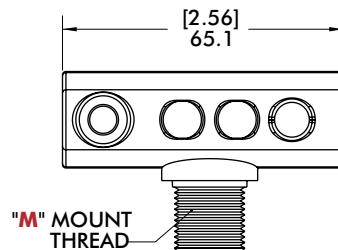
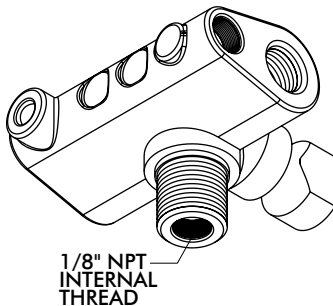
VS/DET Thread

DET = M5

VS = 1/8 NPT

Weight

170g [6 oz.]



Low Profile 750/19 Series w/blow-off - CPI-VSA-(X)-BO-LP

Version	Mount Thread "M"	Vacuum Port "V"	(X)
Metric	3/8" G Male	1/4" G	19
Imperial	3/8" NPT Male	1/4" NPT	750

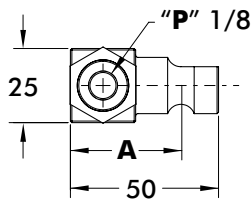
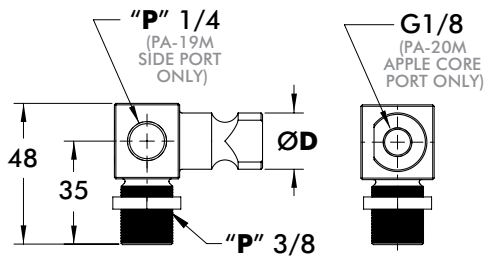
ACCELERATE® PORT ONLY ADAPTORS

Vacuum Products | Dimensions | Technical Specifications



PA Series

Apple Core Mount



PA-19M



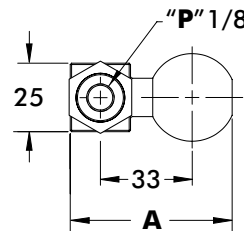
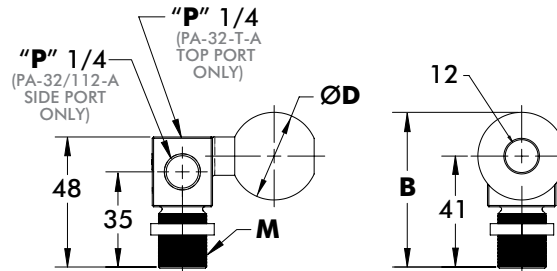
PA-20M

Material: Aluminum
Load: 150Nm

Weight includes locking nut* and plug (not shown)
*Except U38 models

Model Number	A	ØD	P	Weight
PA-19M-G38-A	[1.46] 37	[0.75] 19	G	[0.17 lb] 77g
PA-19M-U38-A			NPT	[0.15 lb] 68g
PA-20M-G38-AC-A	[1.34] 34	[0.79] 20	G	[0.16 lb] 71g

Ball Mount



PA-B32-G38-T-A

Material: Aluminum
Load: 150Nm

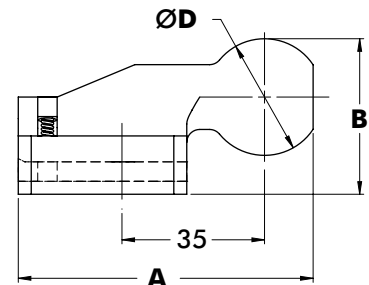
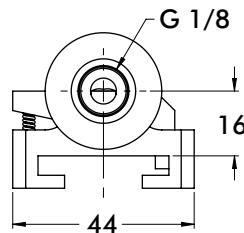
Weight includes locking nut* and plug (not shown) *Except U38 models

Model Number	A	B	ØD	M	P	Weight
PA-B32-G38-A				G3/8	G	[0.23 lb] 103g
PA-B32-G38-T-A	[2.32] 59	[2.24] 57	[1.26] 32		G	[0.21 lb] 96g
PA-B32-U38-A				3/8 NPT	NPT	[0.21 lb] 94g
PA-B32-G14-A				G1/4	G	[0.21 lb] 95g
PA-B112-G38-A	[2.24] 57	[2.17] 55	[1.12] 28	G3/8	G	[0.20 lb] 89g
PA-B112-U38-A				3/8 NPT	NPT	[0.18 lb] 80g

PA 28mm - 32mm Ball for C-Mount



Material: Aluminum
Load: 150Nm

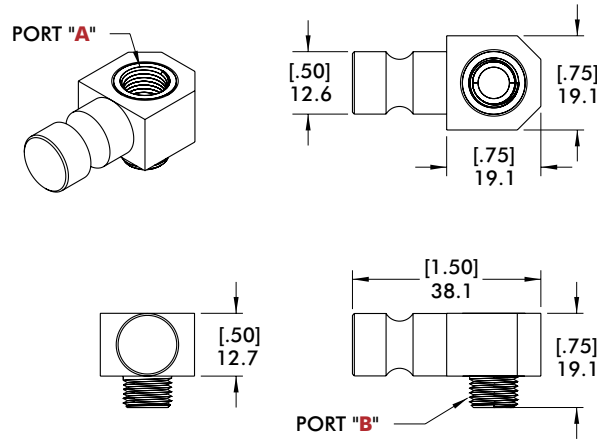


Model Number	A	B	ØD	Weight
CPI-PA-B112-CM	[2.84] 72.1	[1.50] 38.1	[1.13] 28.5	[0.23 lb] 106g
CPI-PA-B32-CM	[2.98] 75.7	[1.69] 42.9	[1.26] 32	[0.27 lb] 122g

MICRO TOOLING PORT ONLY ADAPTER

Vacuum Products | Dimensions | Technical Specifications

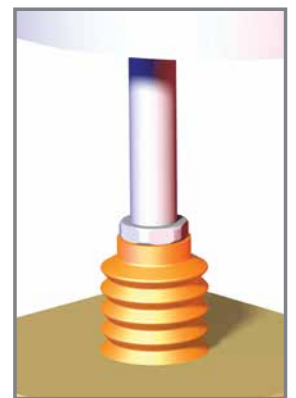
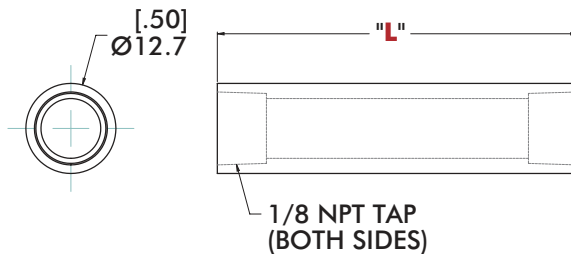
PA 500 Series



CPI-PA-500-"A"- "B" Ordering Information

Description		A	B	Weight
	Female 1/8" NPT/Female 1/8" NPT	F18	F18	23g [0.8 oz.]
	Female 1/8" G/Female 1/8" G	FG18	FG18	
	Female M5/Female M5	FM5	FM5	
	Female 1/8" NPT/Male 1/8" NPT	F18	M18	
	Female 1/8" G/Male 1/8" G	FG18	MG18	
	Female M5/Male M5	FM5	MM5	

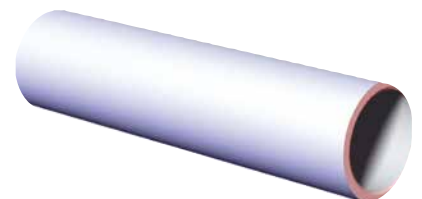
PAT 1/8 NPT Vacuum Extension



"L"

Standard Lengths

- 02** = 2.00"
- 03** = 3.00"
- 04** = 4.00"
- 05** = 5.00"
- 06** = 6.00"



Model Number	Weight
CPI-PAT-50T-"L"-U18	[0.13 lb/ft] 193.0 g/m