



CESEHSA
soluciones

NACHI

INTERNAL GEAR PUMP

A patented axial and radial pressure loading system provides high efficiency and generates pressures up to 300 bar



IPH Series Metric-shaft Pump

- A patented axial and radial pressure loading system provides high efficiency and generates pressures up to 300 bar
- A modified involute short tooth gear enables internal gearing for greatly reduced pulsation and noise, and exceptionally quiet operation.
- Compact, light and less components
- Impervious design for a long lifetime
- Minimum on internal leakage brings very high efficiency
- Elastic bearings allows a movement that expand the life time and reduce wearout.
- Unique plain bearing support mechanism (easy maintenance)

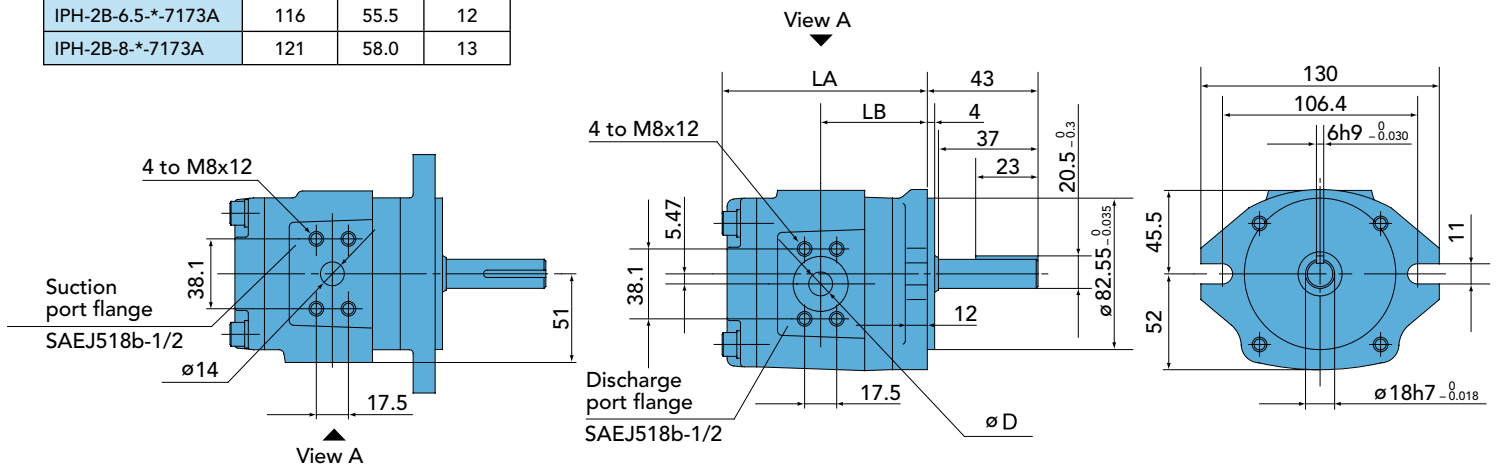


3.6 to 125.9 cm³/rev

300 bar

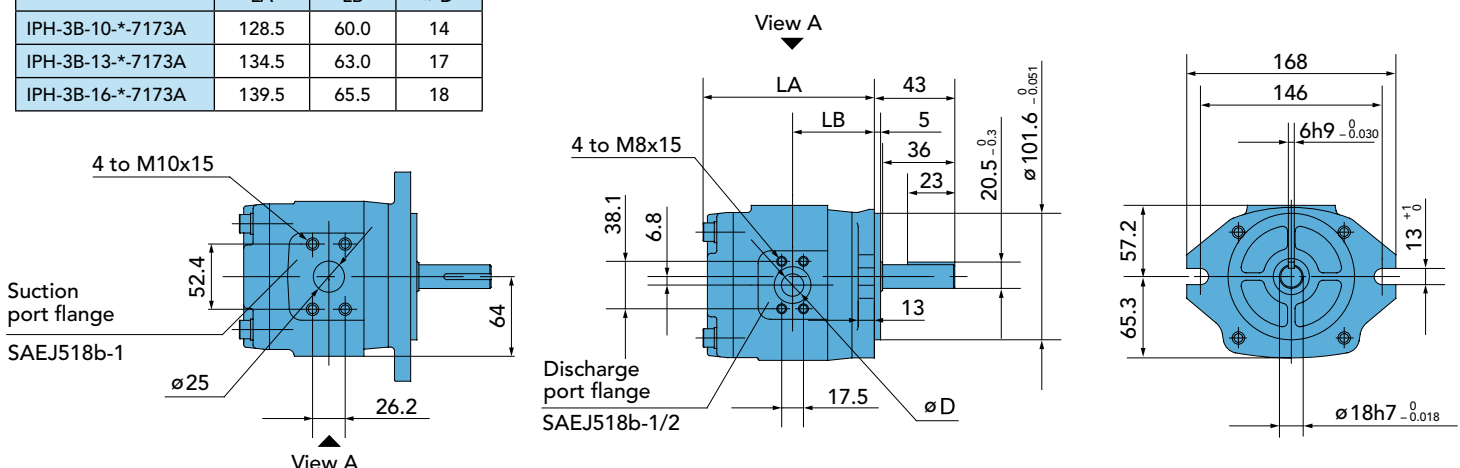
▶ IPH-2B-*-7173A (Flange Mounting, Clockwise Rotation)

Model No.	Dimensions (mm)		
	LA	LB	∅ D
IPH-2B-3.5-*-7173A	107	51.0	8.9
IPH-2B-5-*-7173A	112	53.5	11
IPH-2B-6.5-*-7173A	116	55.5	12
IPH-2B-8-*-7173A	121	58.0	13



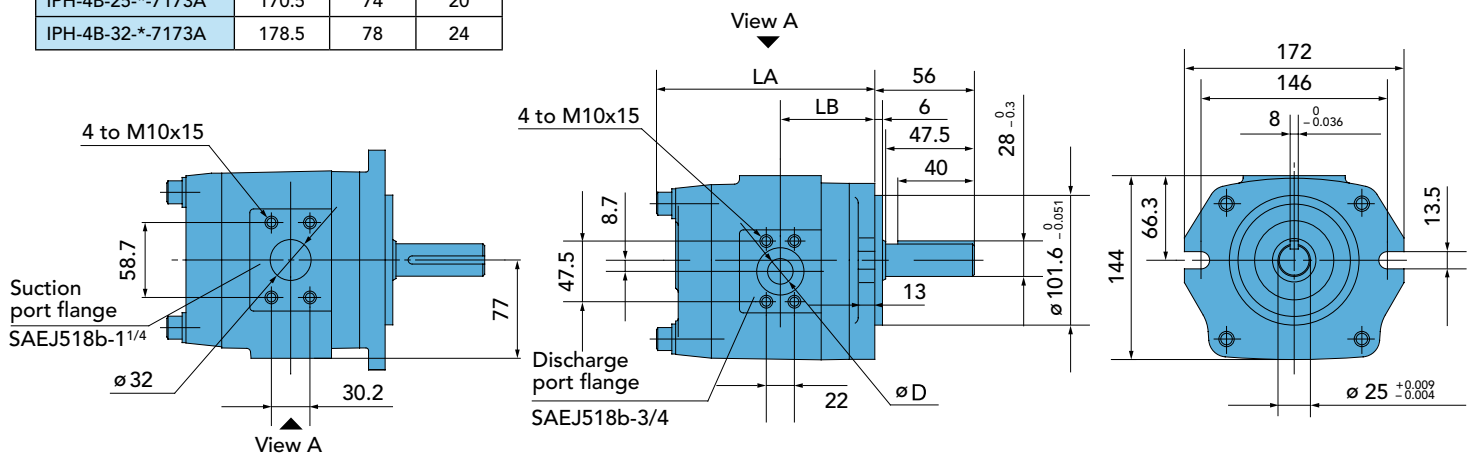
▶ IPH-3B-*-7173A (Flange Mounting, Clockwise Rotation)

Model No.	Dimensions (mm)		
	LA	LB	∅ D
IPH-3B-10-*-7173A	128.5	60.0	14
IPH-3B-13-*-7173A	134.5	63.0	17
IPH-3B-16-*-7173A	139.5	65.5	18



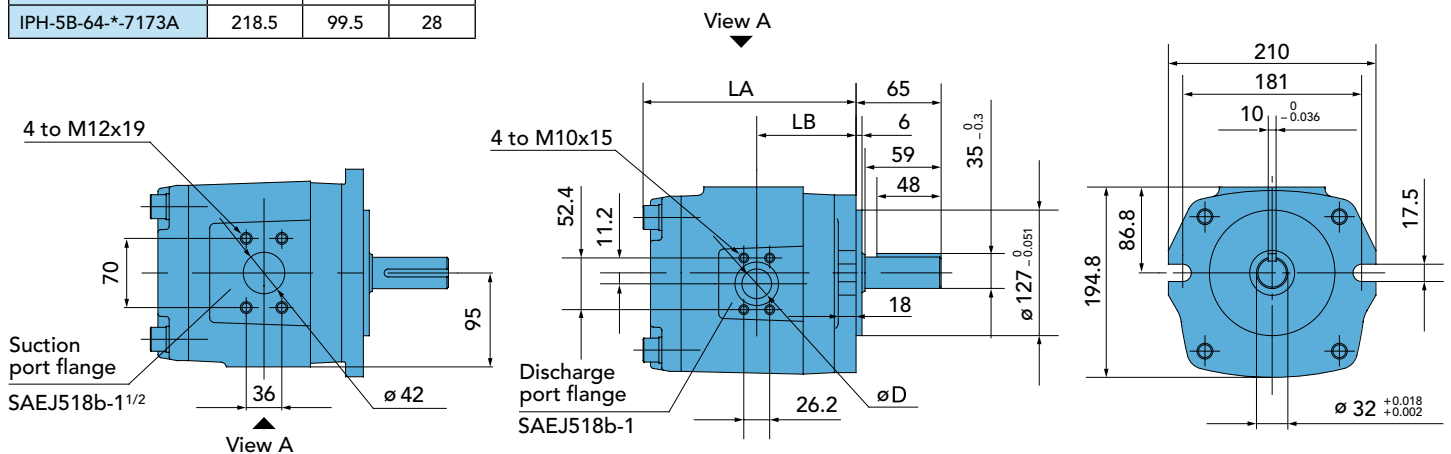
▶ IPH-4B-*-7173A (Flange Mounting, Clockwise Rotation)

Model No.	Dimensions (mm)		
	LA	LB	∅ D
IPH-4B-20-*-7173A	164.5	71	18
IPH-4B-25-*-7173A	170.5	74	20
IPH-4B-32-*-7173A	178.5	78	24



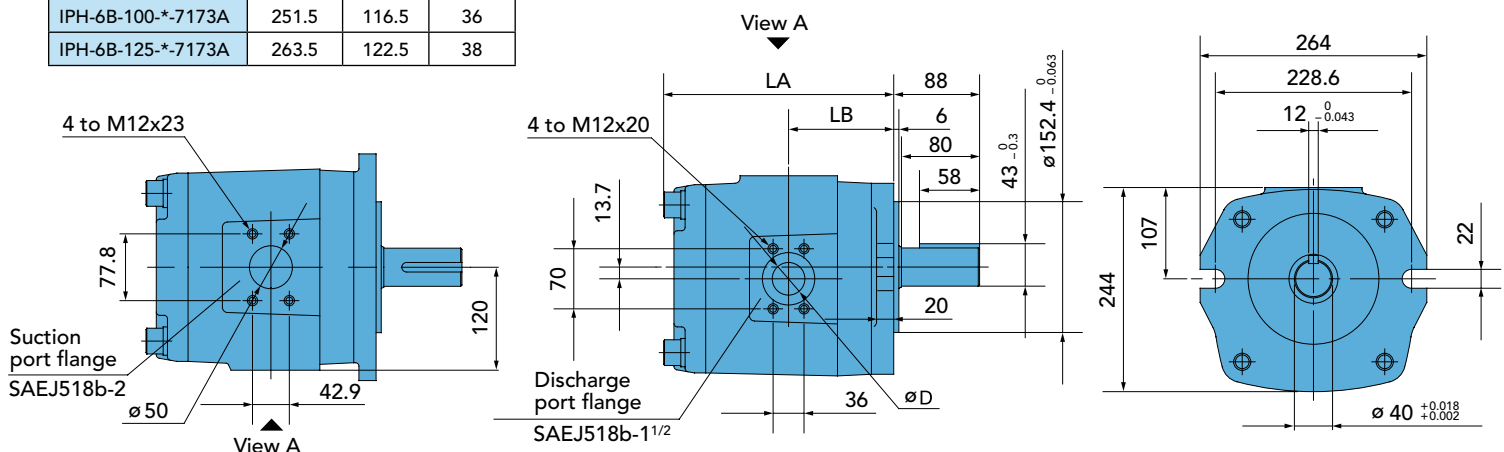
▶ IPH-5B-*-7173A (Flange Mounting, Clockwise Rotation)

Model No.	Dimensions (mm)		
	LA	LB	∅ D
IPH-5B-40-*-7173A	201.5	91.0	24
IPH-5B-50-*-7173A	208.5	94.5	26
IPH-5B-64-*-7173A	218.5	99.5	28



▶ IPH-6B-*-7173A (Flange Mounting, Clockwise Rotation)

Model No.	Dimensions (mm)		
	LA	LB	∅ D
IPH-6B-80-*-7173A	241.5	111.5	32
IPH-6B-100-*-7173A	251.5	116.5	36
IPH-6B-125-*-7173A	263.5	122.5	38



Note: Please ask for original drawing for your designwork

IPH Internal gear pump

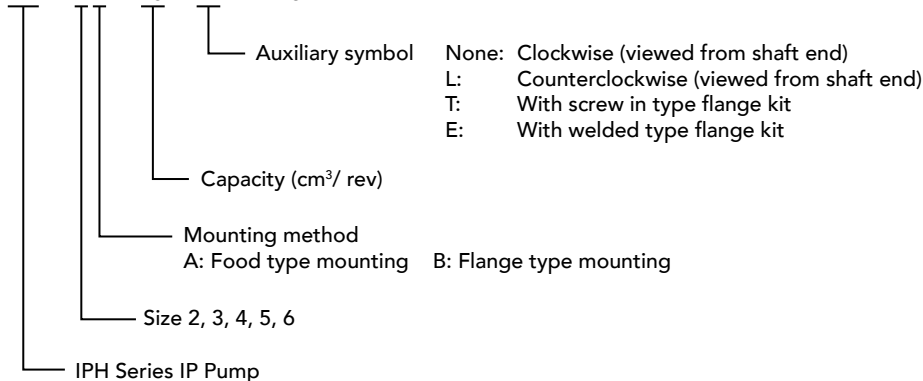
► Specifications

Model No.	Capacity cm ³ /rev	Rated Pressure bar	Maximum Operating Pressure bar	Minimum Revolution Speed min ⁻¹	Maximum Revolution Speed min ⁻¹	Weight kg	
						Type A	Type B
IPH-2A(B)- 3.5- -7173A	5	250	300	600	2000	4.4	2.4
	6.5					4.5	2.5
	8					4.6	2.6
						4.8	2.8
IPH-3A(B)- 10- -7173A	13	250	300	600	2000	10.5	4.8
	16					10.7	5.0
						11.0	5.3
IPH-4A(B)- 20- -7173A	25	250	300	500	2000	15.2	9.5
	32					15.7	10.0
						16.2	10.5
IPH-5A(B)- 40-21 -7173A	50	250	300	400	2000	32.0	19.0
	64					33.0	20.0
						34.0	21.0
IPH-6A(B)- 80-21 -7173A	100	250	300	300	2000	62.0	39.0
	125					64.0	41.0
						66.0	43.0

See further detailed information on our main catalogue chapter C

► Understanding Model Numbers

IPH - 4 B - 25 - LT - 7173 A



Note:

Please ask for original drawing for your designwork

NACHI

Your local NACHI partner



cesehsa.com.mx
 800 237 3472
 info@cesehsa.com.mx