

2-Jaw Heavy-Duty Parallel Grippers | Features and Benefits | How To Order

Features:

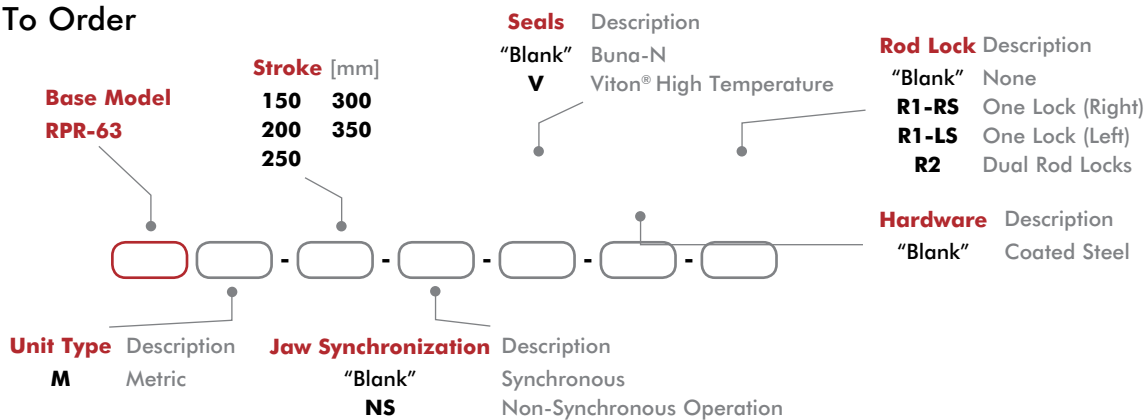
- High rigidity and robust long stroke gripper
- Grip force of 4559N with strokes from 150mm to 350mm
- Rack and Pinion for synchronized jaw operation
- Optional Integral Rod Lock that lock jaws in position upon air loss
- Shaft wiper seals protects internal bearings from contaminants
- Optional Viton® seals for high temp applications
- Customized sensing and linear encoder solutions available

Applications:

- Foundry applications
- Gantry Systems
- Large heavy part handling



How To Order



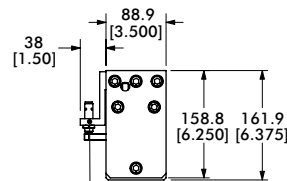
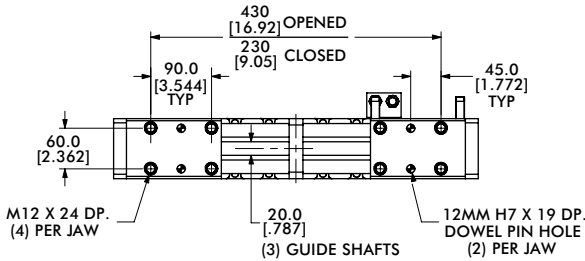
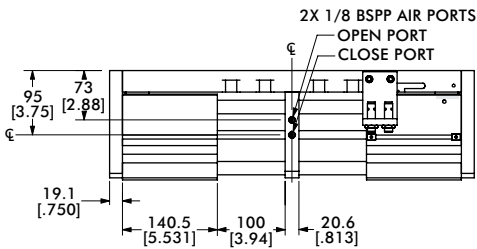
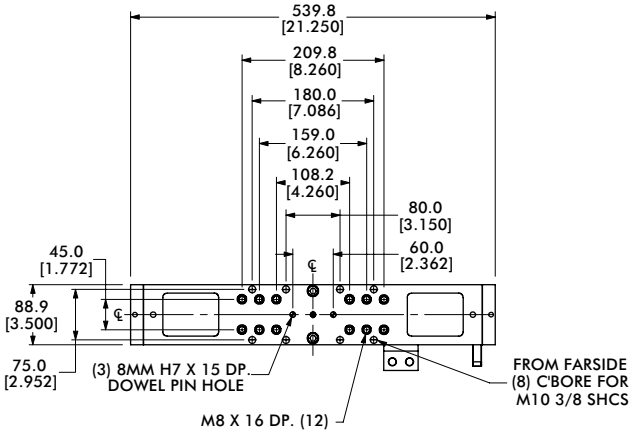
Accessories

Sensor Accessories	Part Number	Qty/Unit
Sensor Mounting Kit for Imperial & Metric Units (mounts 2 sensors)	OSMK-131	1
12mm PNP Inductive Sensor with Quick Disconnect*	OISP-017	1-2
12mm NPN Inductive Sensor with Quick Disconnect*	OISN-017	1-2
Quick Disconnect 2 Meter Cable Length*	CABL-014	1-2
Quick Disconnect 5 Meter Cable Length*	CABL-018	1-2

Pneumatic Accessories	Part Number	Qty/Unit
Fail Safe Valve 1/4 NPT (Imperial)	OFSV-003	1
Fail Safe Valve 1/4 BSPP (Metric)	OFSV-006	1
Buna-N Seal Repair Kit	SLKT-452	1
Viton® Seal Repair Kit	SLKT-453	1

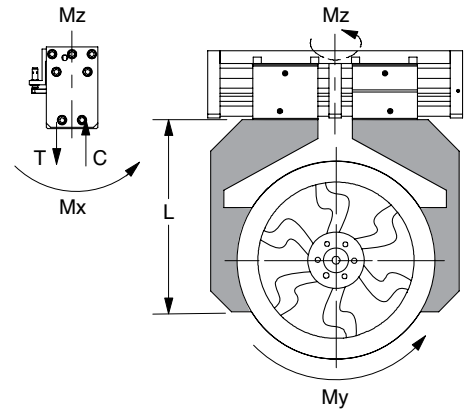
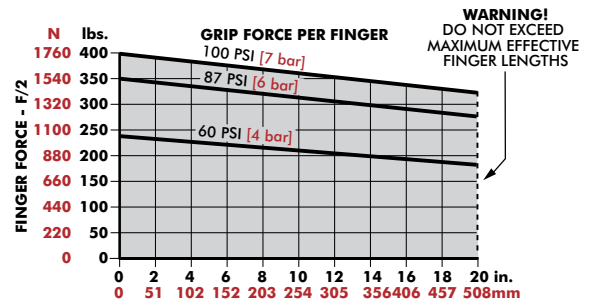
* Sensor and cable sold separately.

2-Jaw Heavy-Duty Parallel Grippers | Technical Specifications



SENSOR BRACKET, TARGETS AND SENSORS ARE NOT INCLUDED WITH GRIPPER (SHOWN FOR REFERENCE ONLY)

Loading Information



Specifications	Units	RPR-63-200
Total Rated Grip Force F @ 100 psi	N [lbs]	3250 [800]
Total Stroke	mm [in]	200 [7.87]
Weight	kg [lbs]	15.8 [35]
Pressure Range	bar [psi]	3-7 [40-100]
Ingress Protection Class (IP)		IP65
Displacement	cm ³ [in ³]	623 [38.2]
Temperature Range (Buna-N seals)	°C [°F]	-35°~80° [-30°~180°]
Temperature Range (Viton® seals)	°C [°F]	-30°~150° [-20°~300]
Actuation	sec	1.3
Accuracy	mm [in]	±0.13 [±0.005]
Repeatability	mm [in]	±0.05 [±0.002]
Valve to Actuate Double Acting		4-way, 2-position

RPR-63M	
Maximum Tensile T	15570 N [3500 lbs]
Maximum Compressive C	15570 N [3500 lbs]
Maximum Moment M_x	825 Nm [7500 in-lbs]
Maximum Moment M_y	990 N [9000 lbs]
Maximum Moment M_x	825 Nm [7500 in-lbs]
Maximum Finger Length L	500mm [20 in]

*Capacities are per set of jaws and are not simultaneous