

## 2-Jaw General Industrial Parallel Grippers | Features and Benefits | How To Order

### Features:

- Robust sealed design gripper
- Double wedge design for high impact applications
- Spring assist option for part retention in case of air pressure loss
- Inductive jaw location sensing
- Grip force range from 222N [50 lbs] to 2669N [600 lbs]
- Stroke Range from 6.4mm [0.25 in] to 31.8mm [1.25 in]

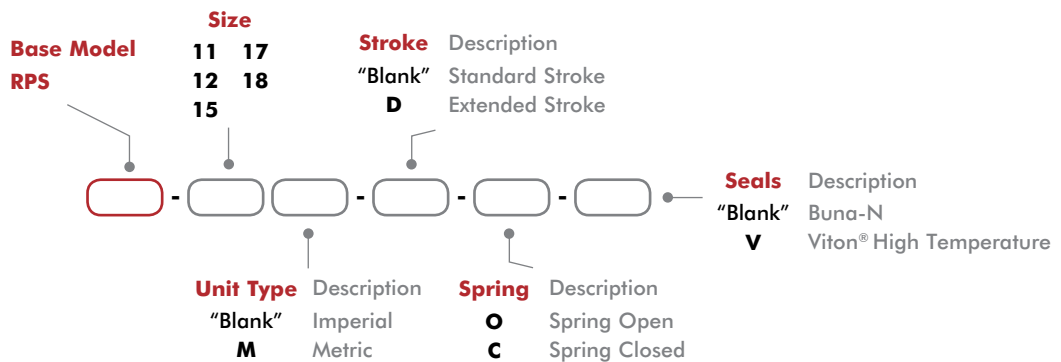
### Applications:

- Automotive assembly
- Critical Part drop prevention applications
- General purpose spring assist gripping
- Packaging applications



U.S. Patent #5,125,708

## How To Order



## Accessories

Sensor Accessories	Model Numbers	Part Number	Qty/Unit
Sensor Mounting Kit for Imperial & Metric Units (mounts 2 sensors)	See Datasheet		1
NPN Inductive Sensor with Quick Disconnect*	11, 12, 15	OISN-019	1-2
PNP Inductive Sensor with Quick Disconnect*	11, 12, 15	OISP-019	1-2
NPN Inductive Sensor with Quick Disconnect*	17, 18	OISN-011	1-2
PNP Inductive Sensor with Quick Disconnect*	17, 18	OISP-011	1-2
Quick Disconnect 2 Meter Cable Length*	All Models	CABL-010	1-2
Quick Disconnect 5 Meter Cable Length*	All Models	CABL-013	1-2

Pneumatic Accessories	Model Numbers	Part Number	Qty/Unit
Fail Safe Valve (Imperial)	See Datasheet		1
Fail Safe Valve (Metric)	See Datasheet		1

\*Sensor and cable sold separately.

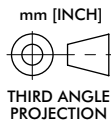
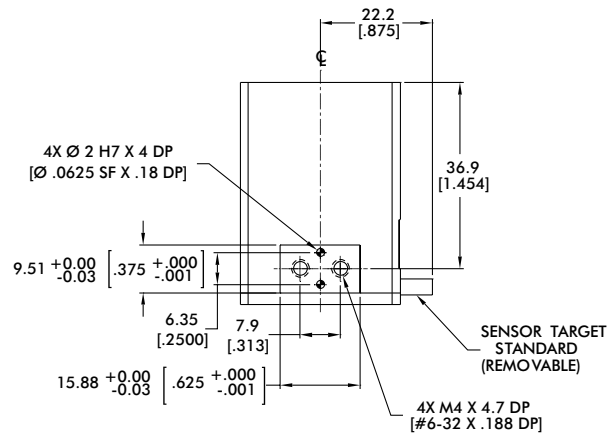
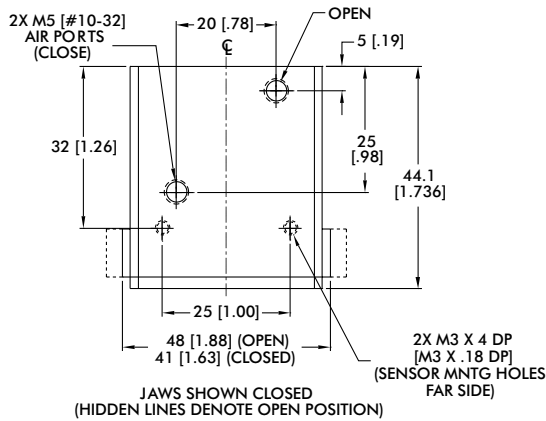
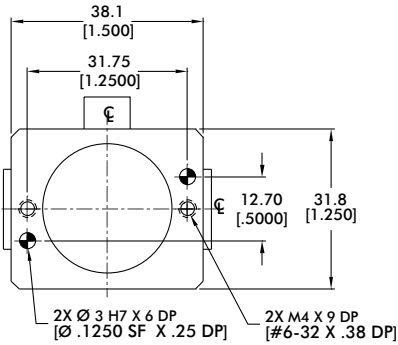
## 2-Jaw General Industrial Parallel Grippers | Technical Specifications

Specifications	Units	11	12	15
Total Rated Grip Force <b>F</b> @ 100 psi [7 bar]	N [lbs]	222 [50]	267 [60]	400 [90]
Total Stroke	mm [in]	6.4 [0.25]	9.5 [0.38]	12.7 [0.50]
Weight	kg [lbs]	0.16 [0.36]	0.34 [0.76]	0.65 [1.44]
Pressure Range	bar [psi]	3.4-7 [50-100]		
Ingress Protection Class (IP)		IP43		
Displacement	cm <sup>3</sup> [in <sup>3</sup> ]	1.6 [0.098]	2.5 [0.150]	4.9 [0.300]
Temperature Range (Buna-N seals)	°C [°F]	-35°~80° [-30°~180°]		
Temperature Range (Viton® seals)	°C [°F]	-30°~150° [-20°~300°]		
Actuation	sec	0.15		0.17
Accuracy	mm [in]	±0.05 [±0.002]		
Repeatability	mm [in]	±0.03 [±0.001]		
Valve to Required Actuate Single Acting		3-way, 2-position		
Valve to Required Actuate Double Acting		4-way, 2-position		

Specifications	Units	17	18
Total Rated Grip Force <b>F</b> @ 100 psi [7 bar]	N [lbs]	1334 [300]	2669 [600]
Total Stroke	mm [in]	19.1 [0.75]	31.8 [1.25]
Weight	kg [lbs]	1.4 [3.00]	5.0 [11.02]
Pressure Range	bar [psi]	3-7 [40-100]	
Ingress Protection Class (IP)		IP43	
Displacement	cm <sup>3</sup> [in <sup>3</sup> ]	22.9 [1.400]	72.1 [4.400]
Temperature Range (Buna-N seals)	°C [°F]	-35°~80° [-30°~180°]	
Temperature Range (Viton® seals)	°C [°F]	-30°~150° [-20°~300°]	
Actuation	sec	0.31	0.51
Accuracy	mm [in]	±0.08 [±0.003]	
Repeatability	mm [in]	±0.03 [±0.001]	
Valve to Required Actuate Single Acting		3-way, 2-position	
Valve to Required Actuate Double Acting		4-way, 2-position	

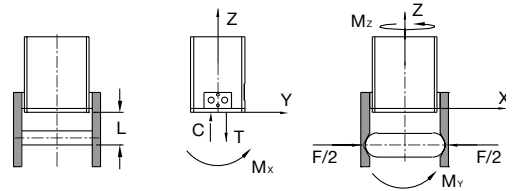
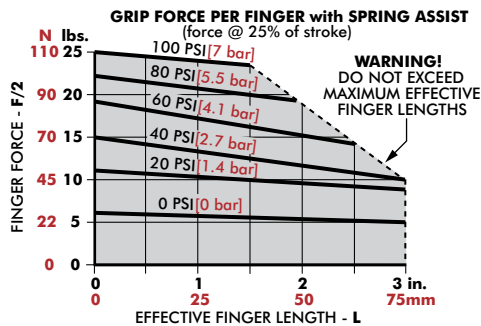
# RPS-11

## 2-Jaw General Industrial Parallel Grippers | Dimensions and Technical Specifications



Accessory Category	Part Name	Part Number
<b>Sensor Accessories</b>	<b>RPS-11</b>	
Inductive Sensor Mounting Kit (mounts 2 sensors)	OSMK-003	
<b>Seal Repair Kits</b>	<b>RPS-11</b>	
Buna-N Seal Repair Kit	SLKT-036	
Viton® Seal Repair Kit	SLKT-036V	
<b>Pneumatic Accessories</b>	<b>RPS-11</b>	
Fail Safe Valve (Imperial)	OFSV-001	
Fail Safe Valve (Metric)	OFSV-004	

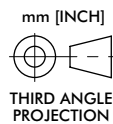
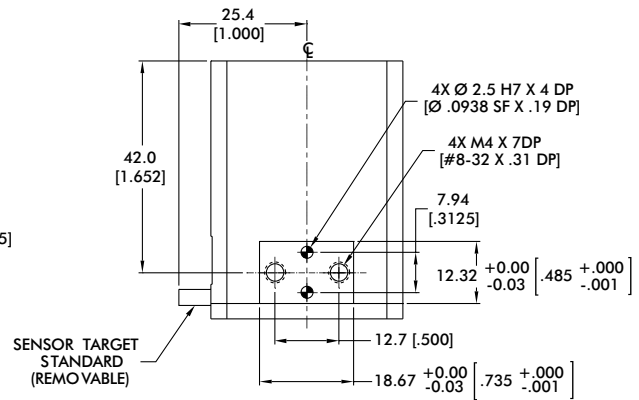
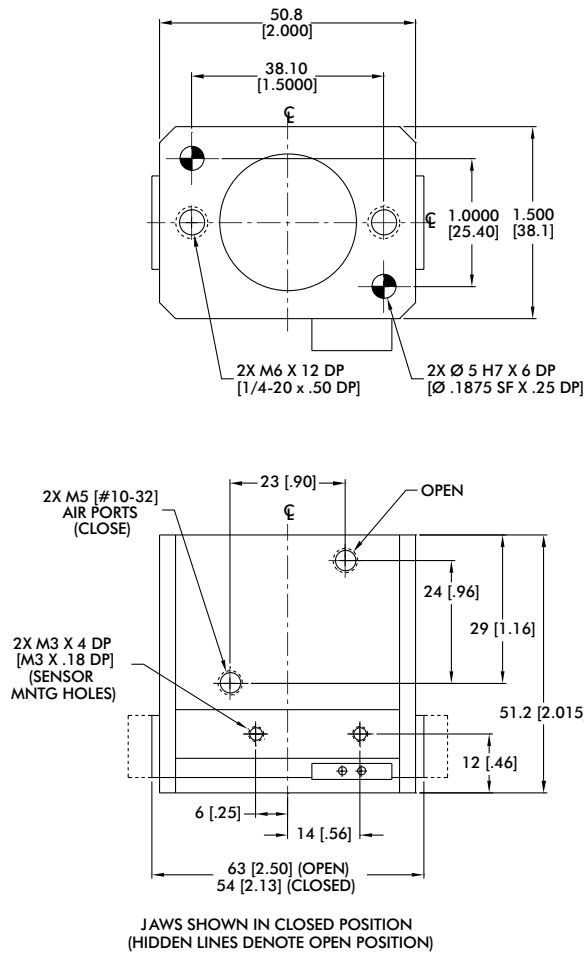
## Loading Information



RPS-11	Static	Dynamic
Maximum Tensile <b>T</b>	445 N [100 lbs]	111 N [25 lbs]
Maximum Compressive <b>C</b>	890 N [200 lbs]	111 N [25 lbs]
Maximum Moment <b>M<sub>x</sub></b>	11 Nm [100 in-lbs]	3 Nm [25 in-lbs]
Maximum Moment <b>M<sub>y</sub></b>	11 Nm [100 in-lbs]	3 Nm [25 in-lbs]
Maximum Moment <b>M<sub>z</sub></b>	11 Nm [100 in-lbs]	3 Nm [25 in-lbs]

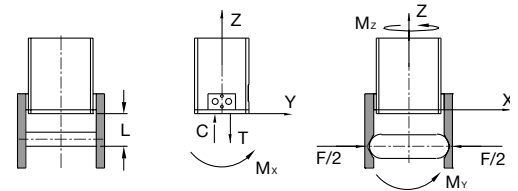
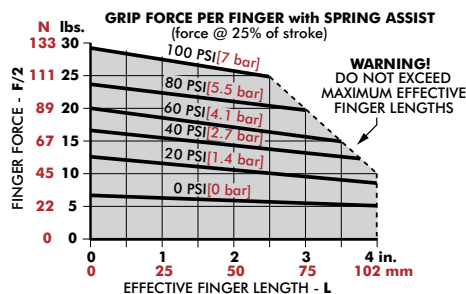
\*Capacities are per set of jaws and are not simultaneous

## 2-Jaw General Industrial Parallel Grippers | Dimensions and Technical Specifications



Sensor Accessories	RPS-12
Inductive Sensor Mounting Kit (mounts 2 sensors)	OSMK-003
Seal Repair Kits	RPS-12
Buna-N Seal Repair Kit	SLKT-040
Viton® Seal Repair Kit	SLKT-040V
Pneumatic Accessories	RPS-12
Fail Safe Valve (Imperial)	OFSV-001
Fail Safe Valve (Metric)	OFSV-004

### Loading Information

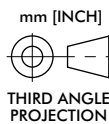
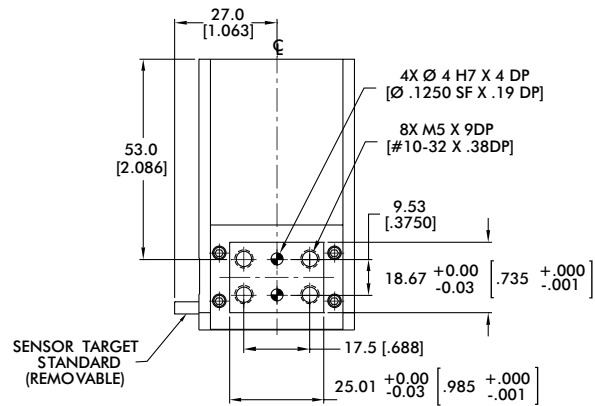
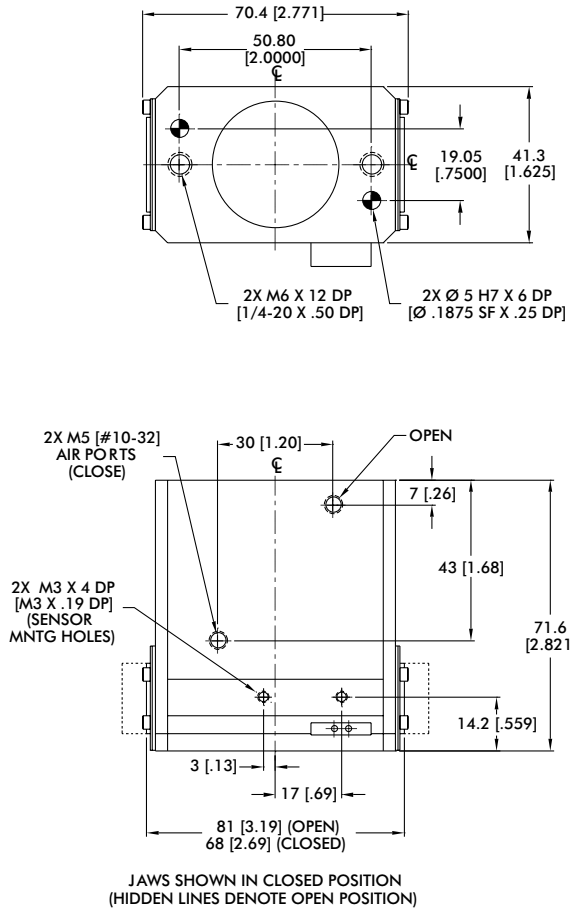


RPS-12	Static	Dynamic
Maximum Tensile <b>T</b>	890 N [200 lbs]	222 N [50 lbs]
Maximum Compressive <b>C</b>	1779 N [400 lbs]	222 N [50 lbs]
Maximum Moment <b>M<sub>x</sub></b>	17 Nm [150 in-lbs]	6 Nm [50 in-lbs]
Maximum Moment <b>M<sub>y</sub></b>	17 Nm [150 in-lbs]	6 Nm [50 in-lbs]
Maximum Moment <b>M<sub>z</sub></b>	17 Nm [150 in-lbs]	6 Nm [50 in-lbs]

\*Capacities are per set of jaws and are not simultaneous

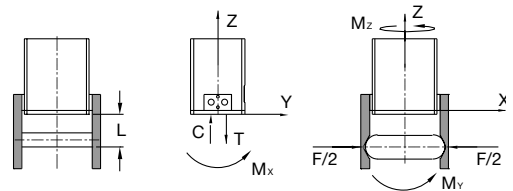
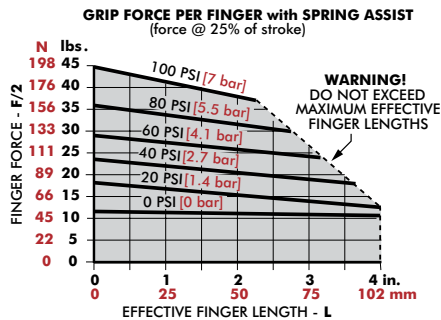
# RPS-15

## 2-Jaw General Industrial Parallel Grippers | Dimensions and Technical Specifications



Sensor Accessories	RPS-15
Inductive Sensor Mounting Kit (mounts 2 sensors)	OSMK-003
Seal Repair Kits	RPS-15
Buna-N Seal Repair Kit	SLKT-041
Viton® Seal Repair Kit	SLKT-041V
Pneumatic Accessories	RPS-15
Fail Safe Valve (Imperial)	OFSV-001
Fail Safe Valve (Metric)	OFSV-004

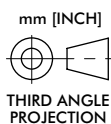
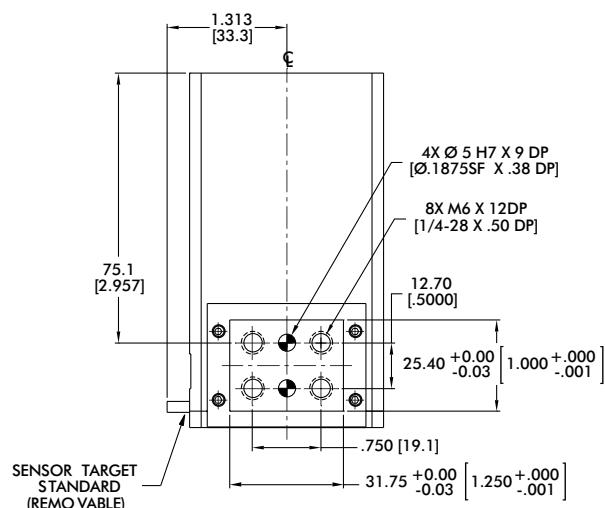
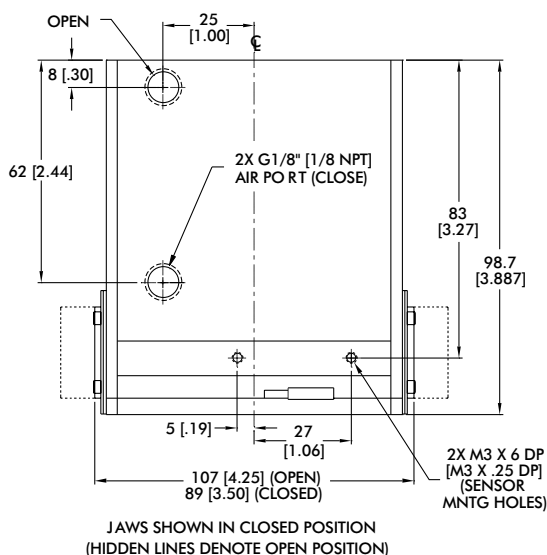
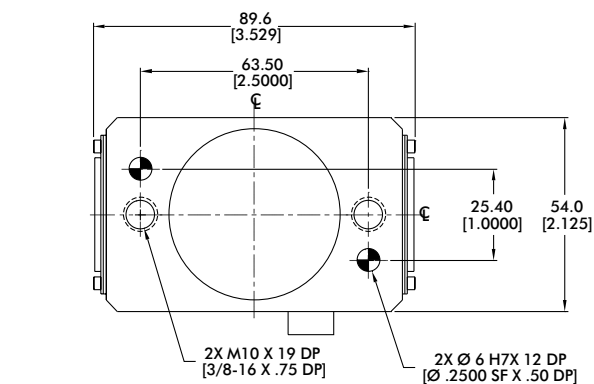
## Loading Information



RPS-15	Static	Dynamic
Maximum Tensile <b>T</b>	1779 N [400 lbs]	445 N [100 lbs]
Maximum Compressive <b>C</b>	3336 N [750 lbs]	445 N [100 lbs]
Maximum Moment <b>M<sub>x</sub></b>	34 Nm [300 in-lbs]	11 Nm [100 in-lbs]
Maximum Moment <b>M<sub>y</sub></b>	34 Nm [300 in-lbs]	11 Nm [100 in-lbs]
Maximum Moment <b>M<sub>z</sub></b>	34 Nm [300 in-lbs]	11 Nm [100 in-lbs]

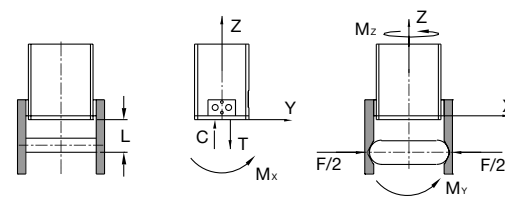
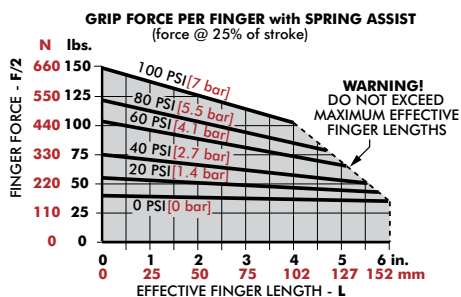
<sup>c</sup>Capacities are per set of jaws and are not simultaneous

## 2-Jaw General Industrial Parallel Grippers | Dimensions and Technical Specifications



Sensor Accessories	RPS-17
Inductive Sensor Mounting Kit (mounts 2 sensors)	OSMK-072
Seal Repair Kits	RPS-17
Buna-N Seal Repair Kit	SLKT-042
Viton® Seal Repair Kit	SLKT-042V
Pneumatic Accessories	RPS-17
Fail Safe Valve (Imperial)	OFSV-002
Fail Safe Valve (Metric)	OFSV-005

## Loading Information

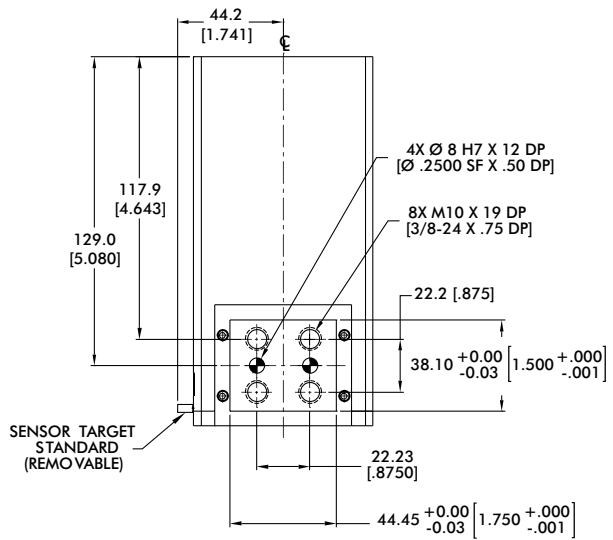
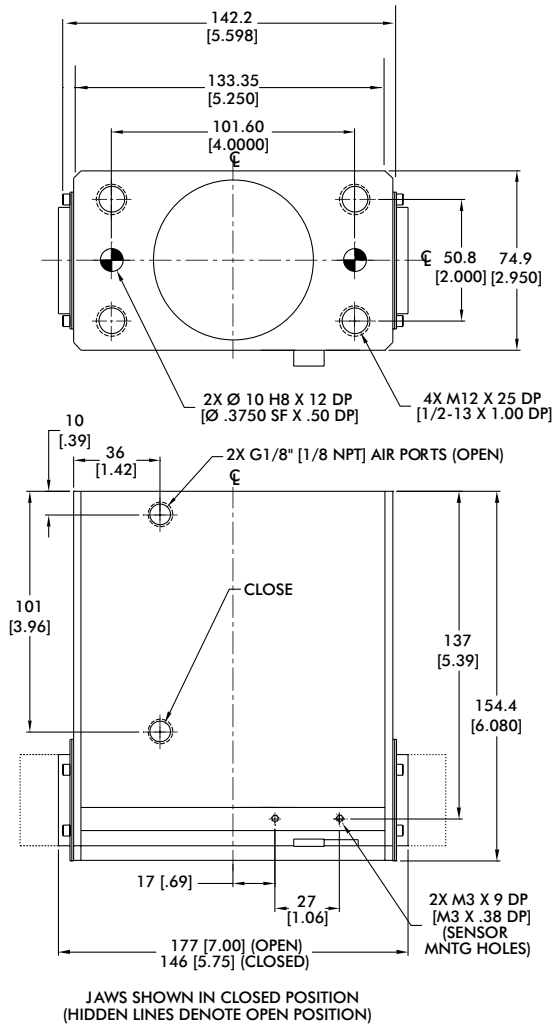


RPS-17	Static	Dynamic
Maximum Tensile <b>T</b>	3336 N [750 lbs]	890 N [200 lbs]
Maximum Compressive <b>C</b>	6672 N [1500 lbs]	890 N [200 lbs]
Maximum Moment <b>M<sub>x</sub></b>	85 Nm [750 in-lbs]	28 Nm [250 in-lbs]
Maximum Moment <b>M<sub>y</sub></b>	85 Nm [750 in-lbs]	28 Nm [250 in-lbs]
Maximum Moment <b>M<sub>x</sub></b>	85 Nm [750 in-lbs]	28 Nm [250 in-lbs]

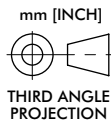
\*Capacities are per set of jaws and are not simultaneous

# RPS-18

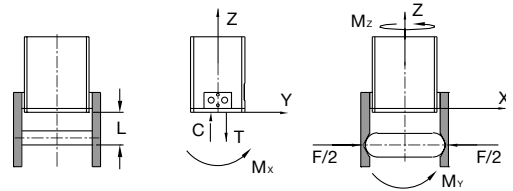
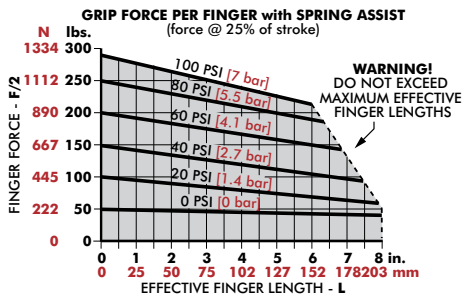
## 2-Jaw General Industrial Parallel Grippers | Dimensions and Technical Specifications



Sensor Accessories		RPS-18
Inductive Sensor Mounting Kit (mounts 2 sensors)		OSMK-072
Seal Repair Kits		RPS-18
Buna-N Seal Repair Kit		SLKT-043
Viton® Seal Repair Kit		SLKT-043V
Pneumatic Accessories		RPS-18
Fail Safe Valve (Imperial)		OFSV-002
Fail Safe Valve (Metric)		OFSV-005



## Loading Information



RPS-18	Static	Dynamic
Maximum Tensile <b>T</b>	6672 N [1500 lbs]	2224 N [500 lbs]
Maximum Compressive <b>C</b>	13345 N [3000 lbs]	2224 N [500 lbs]
Maximum Moment <b>M<sub>x</sub></b>	170 Nm [1500 in-lbs]	57 Nm [500 in-lbs]
Maximum Moment <b>M<sub>y</sub></b>	170 Nm [1500 in-lbs]	57 Nm [500 in-lbs]
Maximum Moment <b>M<sub>z</sub></b>	170 Nm [1500 in-lbs]	57 Nm [500 in-lbs]

\*Capacities are per set of jaws and are not simultaneous