

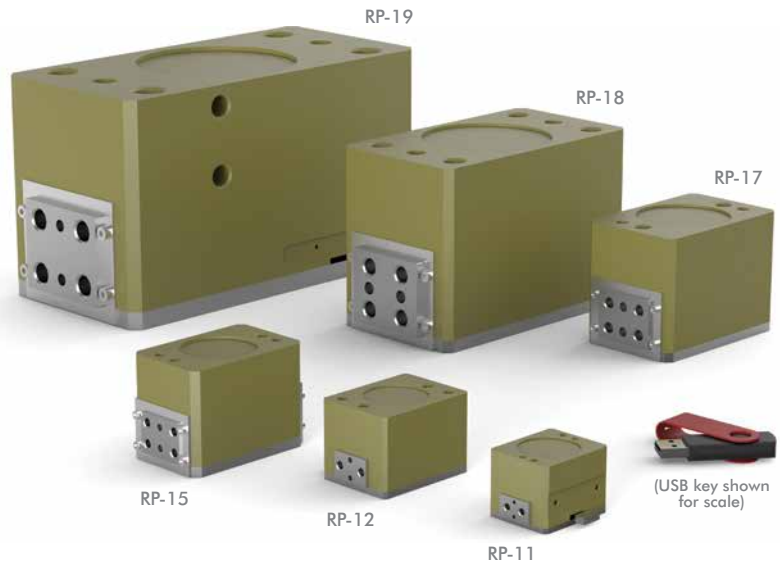
2-Jaw General Industrial Parallel Grippers | Features and Benefits | How To Order

Features:

- Widely used robust sealed design gripper
- Double wedge design for high impact applications
- Hardened steel bottom for part pressing applications
- Inductive jaw location sensing
- Grip force range from 178N [40 lbs] to 2669N [600 lbs]
- Stroke Range from 6.4mm [0.25 in] to 50.8mm [2.00 in]

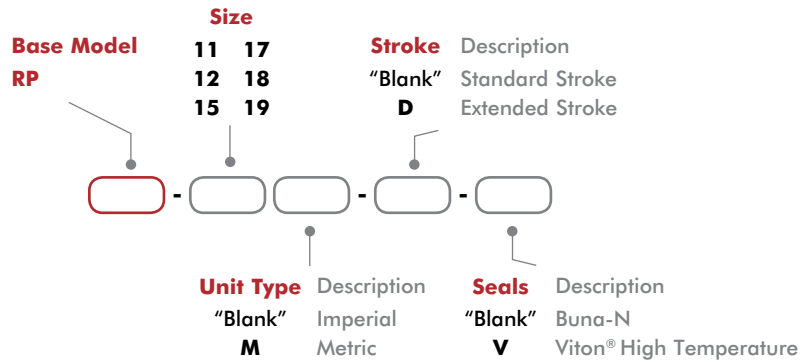
Applications:

- Inline part pressing applications
- OEM machine pick and place
- Packaging applications
- Automotive assembly



U.S. Patent #5,125,708

How To Order



Accessories

Sensor Accessories	Model Numbers	Part Number	Qty/Unit
Sensor Mounting Kit for Imperial & Metric Units (mounts 2 sensors)	See Datasheet		1
NPN Inductive Sensor with Quick Disconnect*	11, 12, 15	OISN-019	1-2
PNP Inductive Sensor with Quick Disconnect*	11, 12, 15	OISP-019	1-2
NPN Inductive Sensor with Quick Disconnect*	17, 18, 19	OISN-011	1-2
PNP Inductive Sensor with Quick Disconnect*	17, 18, 19	OISP-011	1-2
Quick Disconnect 2 Meter Cable Length*	All Models	CABL-010	1-2
Quick Disconnect 5 Meter Cable Length*	All Models	CABL-013	1-2

Pneumatic Accessories	Model Numbers	Part Number	Qty/Unit
Fail Safe Valve (Imperial)	See Datasheet		1
Fail Safe Valve (Metric)	See Datasheet		1

* Sensor and cable sold separately.

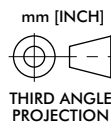
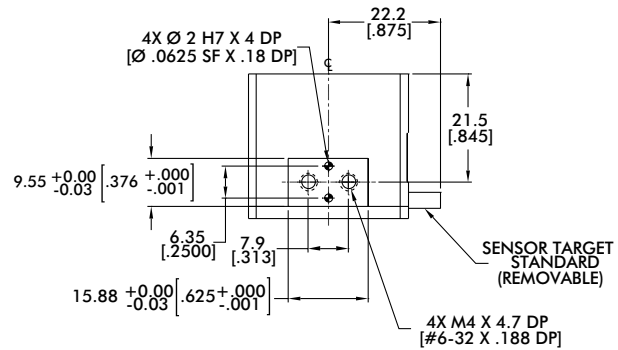
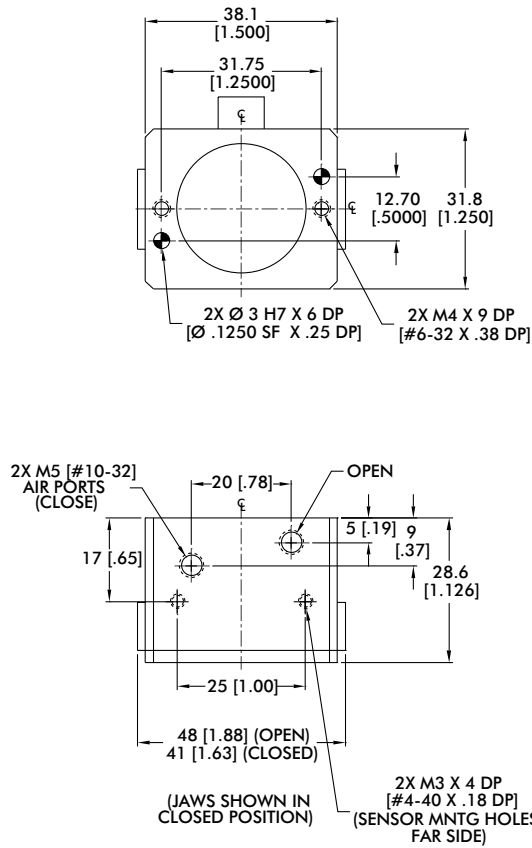
2-Jaw General Industrial Parallel Grippers | Technical Specifications

Specifications	Units	11	12	15
Total Rated Grip Force F @ 100 psi [7 bar]	N [lbs]	178 [40]		311 [70]
Total Stroke	mm [in]	6.4 [0.25]	9.5 [0.38]	12.7 [0.50]
Weight	kg [lbs]	0.12 [0.26]	0.25 [0.56]	0.57 [1.25]
Pressure Range	bar [psi]	3-7 [40-100]		
Ingress Protection Class (IP)		IP43		
Displacement	cm ³ [in ³]	1.6 [0.098]	2.5 [0.150]	4.9 [0.300]
Temperature Range (Buna-N seals)	°C [°F]	-35°~80° [-30°~180°]		
Temperature Range (Viton® seals)	°C [°F]	-30°~150° [-20°~300°]		
Actuation	sec	0.13		0.20
Accuracy	mm [in]	±0.05 [±0.002]		
Repeatability	mm [in]	±0.03 [±0.001]		
Valve to Actuate		4-way, 2-position		

Specifications	Units	17	18	19
Total Rated Grip Force F @ 100 psi [7 bar]	N [lbs]	979 [220]	400 [1779]	2669 [600]
Total Stroke	mm [in]	19.1 [0.75]	31.8 [1.25]	50.8 [2.00]
Weight	kg [lbs]	1.0 [2.2]	3.5 [7.7]	9.5 [21]
Pressure Range	bar [psi]	3-7 [40-100]		
Ingress Protection Class (IP)		IP43		
Displacement	cm ³ [in ³]	22.9 [1.400]	72.1 [4.400]	157.3 [9.600]
Temperature Range (Buna-N seals)	°C [°F]	-35°~80° [-30°~180°]		
Temperature Range (Viton® seals)	°C [°F]	-30°~150° [-20°~300°]		
Actuation	sec	0.18	0.22	0.50
Accuracy	mm [in]	±0.08 [±0.003]		
Repeatability	mm [in]	±0.03 [±0.001]		
Valve to Actuate		4-way, 2-position		

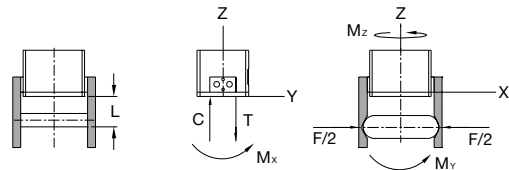
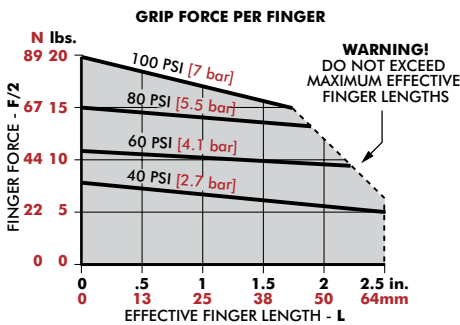
RP-11

2-Jaw General Industrial Parallel Grippers | Dimensions and Technical Specifications



Sensor Accessories		RP-11
Inductive Sensor Mounting Kit (mounts 2 sensors)		OSMK-003
Seal Repair Kits		RP-11
Buna-N Seal Repair Kit		SLKT-036
Viton® Seal Repair Kit		SLKT-036V
Pneumatic Accessories		RP-11
Fail Safe Valve (Imperial)		OFSV-001
Fail Safe Valve (Metric)		OFSV-004

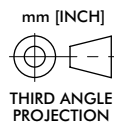
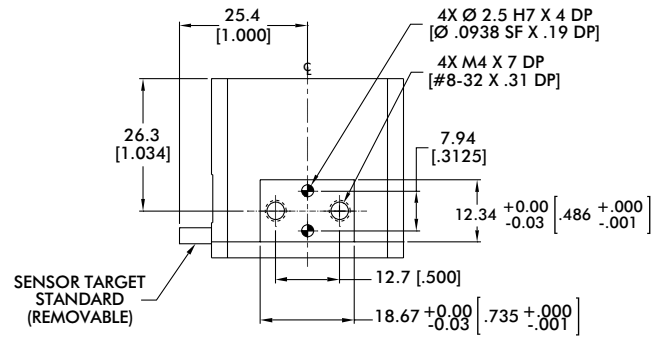
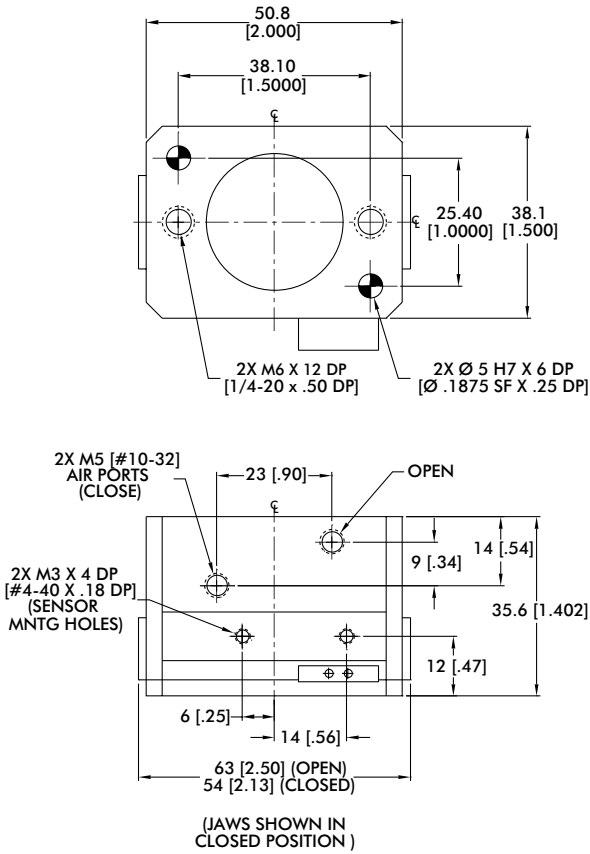
Loading Information



RP-11	Static	Dynamic
Maximum Tensile T	445 N [100 lbs]	111 N [25 lbs]
Maximum Compressive C	890 N [200 lbs]	111 N [25 lbs]
Maximum Moment M_x	11 Nm [100 in-lbs]	2 Nm [17 in-lbs]
Maximum Moment M_y	11 Nm [100 in-lbs]	2 Nm [17 in-lbs]
Maximum Moment M_z	11 Nm [100 in-lbs]	2 Nm [17 in-lbs]

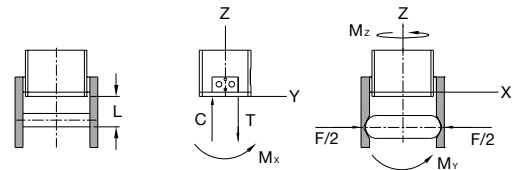
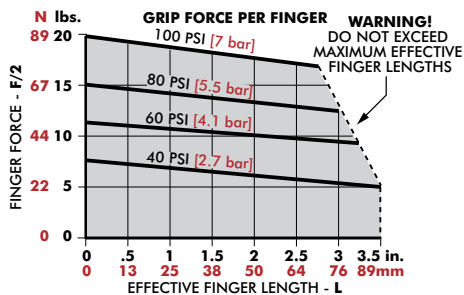
*Capacities are per set of jaws and are not simultaneous

2-Jaw General Industrial Parallel Grippers | Dimensions and Technical Specifications



Sensor Accessories		RP-12
Inductive Sensor Mounting Kit (mounts 2 sensors)		OSMK-003
Seal Repair Kits		RP-12
Buna-N Seal Repair Kit		SLKT-040
Viton® Seal Repair Kit		SLKT-040V
Pneumatic Accessories		RP-12
Fail Safe Valve (Imperial)		OFSV-001
Fail Safe Valve (Metric)		OFSV-004

Loading Information

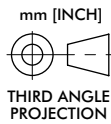
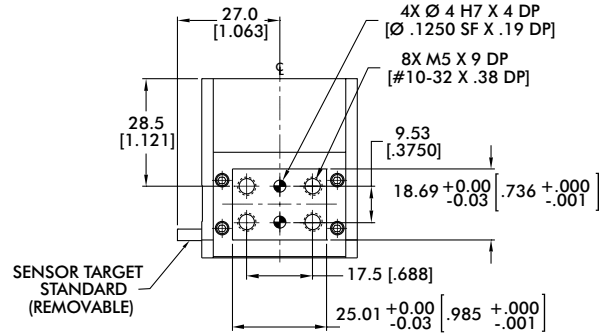
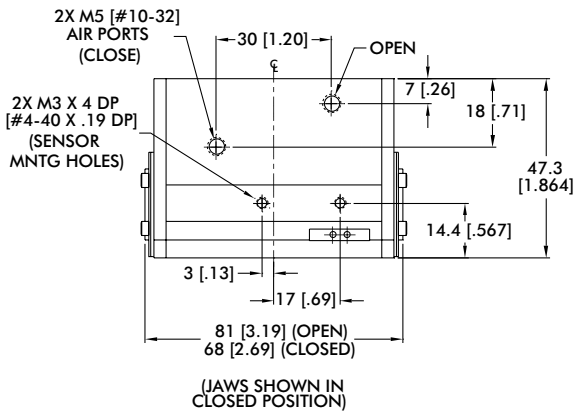
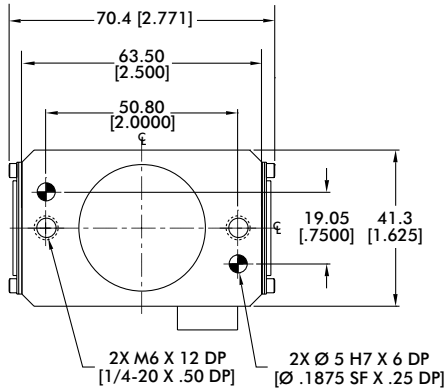


RP-12	Static	Dynamic
Maximum Tensile T	890 N [200 lbs]	111 N [25 lbs]
Maximum Compressive C	1779 N [400 lbs]	111 N [25 lbs]
Maximum Moment M_x	17 Nm [150 in-lbs]	3 Nm [25 in-lbs]
Maximum Moment M_y	17 Nm [150 in-lbs]	3 Nm [25 in-lbs]
Maximum Moment M_z	17 Nm [150 in-lbs]	3 Nm [25 in-lbs]

*Capacities are per set of jaws and are not simultaneous

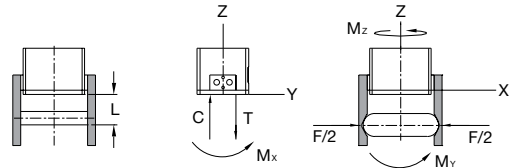
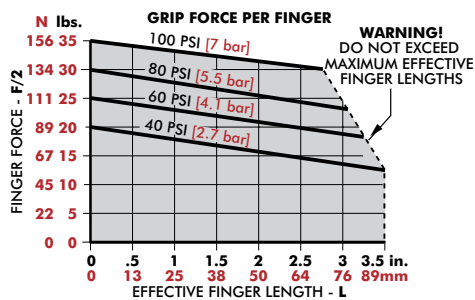
RP-15

2-Jaw General Industrial Parallel Grippers | Dimensions and Technical Specifications



Sensor Accessories		RP-15
Inductive Sensor Mounting Kit (mounts 2 sensors)		OSMK-003
Seal Repair Kits		RP-15
Buna-N Seal Repair Kit		SLKT-041
Viton® Seal Repair Kit		SLKT-041V
Pneumatic Accessories		RP-15
Fail Safe Valve (Imperial)		OFSV-001
Fail Safe Valve (Metric)		OFSV-004

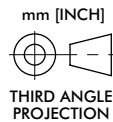
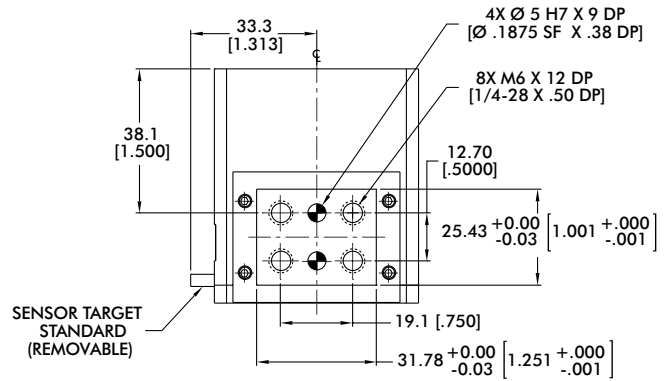
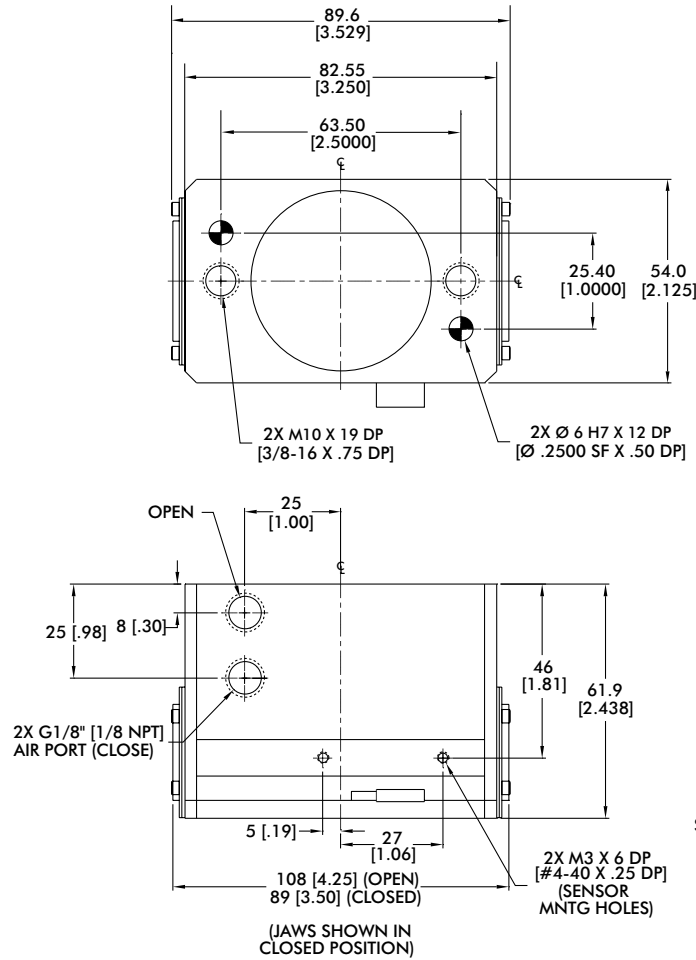
Loading Information



RP-15	Static	Dynamic
Maximum Tensile T	1779 N [400 lbs]	222 N [50 lbs]
Maximum Compressive C	3336 N [750 lbs]	222 N [50 lbs]
Maximum Moment M_x	34 Nm [300 in-lbs]	6 Nm [50 in-lbs]
Maximum Moment M_y	34 Nm [300 in-lbs]	6 Nm [50 in-lbs]
Maximum Moment M_z	34 Nm [300 in-lbs]	6 Nm [50 in-lbs]

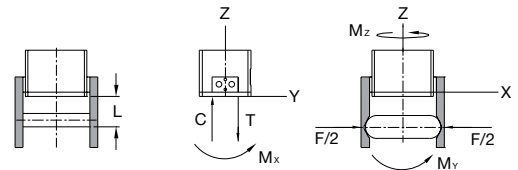
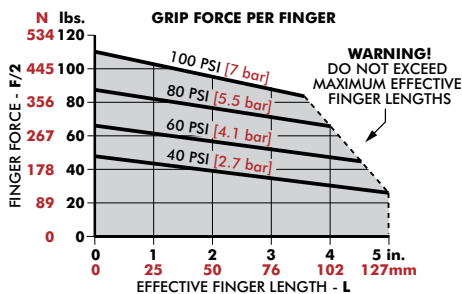
*Capacities are per set of jaws and are not simultaneous

2-Jaw General Industrial Parallel Grippers | Dimensions and Technical Specifications



Sensor Accessories		RP-17
Inductive Sensor Mounting Kit (mounts 2 sensors)	OSMK-072	
Seal Repair Kits		RP-17
Buna-N Seal Repair Kit	SLKT-042	
Viton® Seal Repair Kit	SLKT-042V	
Pneumatic Accessories		RP-17
Fail Safe Valve (Imperial)	OFSV-002	
Fail Safe Valve (Metric)	OFSV-005	

Loading Information

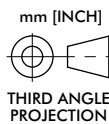
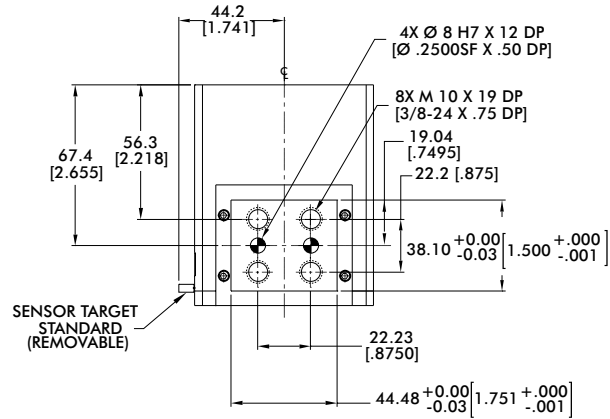
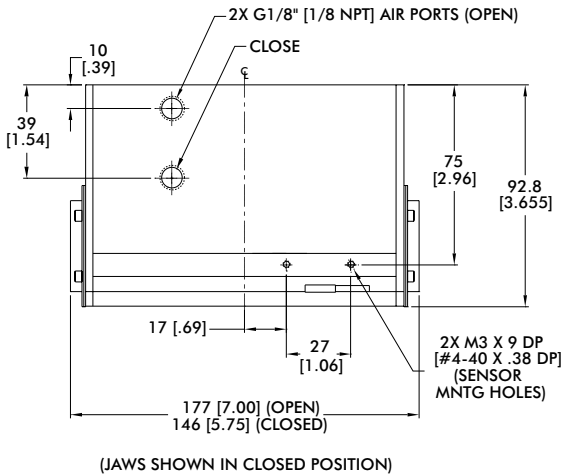
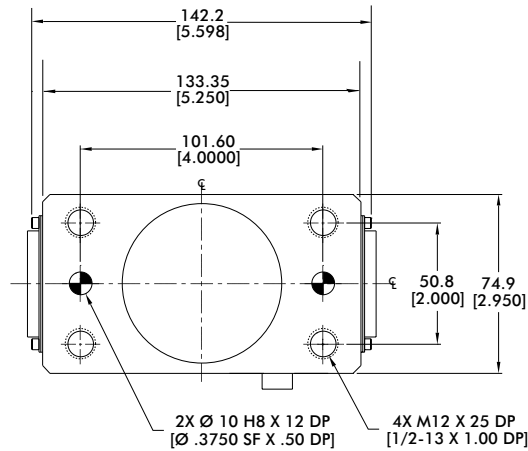


RP-17	Static	Dynamic
Maximum Tensile T	3336 N [750 lbs]	445 N [100 lbs]
Maximum Compressive C	6672 N [1500 lbs]	445 N [100 lbs]
Maximum Moment M_x	85 Nm [750 in-lbs]	14 Nm [125 in-lbs]
Maximum Moment M_y	85 Nm [750 in-lbs]	14 Nm [125 in-lbs]
Maximum Moment M_x	85 Nm [750 in-lbs]	14 Nm [125 in-lbs]

*Capacities are per set of jaws and are not simultaneous

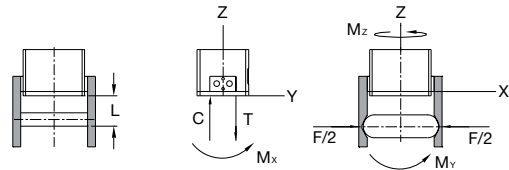
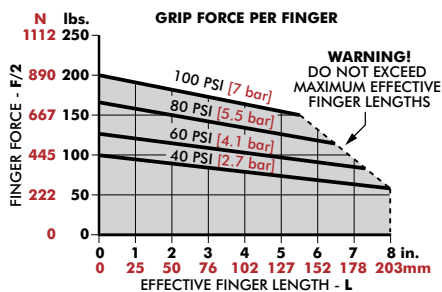
RP-18

2-Jaw General Industrial Parallel Grippers | Dimensions and Technical Specifications



Sensor Accessories		RP-18
Inductive Sensor Mounting Kit (mounts 2 sensors)		OSMK-072
Seal Repair Kits		RP-18
Buna-N Seal Repair Kit		SLKT-043
Viton® Seal Repair Kit		SLKT-043V
Pneumatic Accessories		RP-18
Fail Safe Valve (Imperial)		OFSV-002
Fail Safe Valve (Metric)		OFSV-005

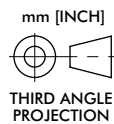
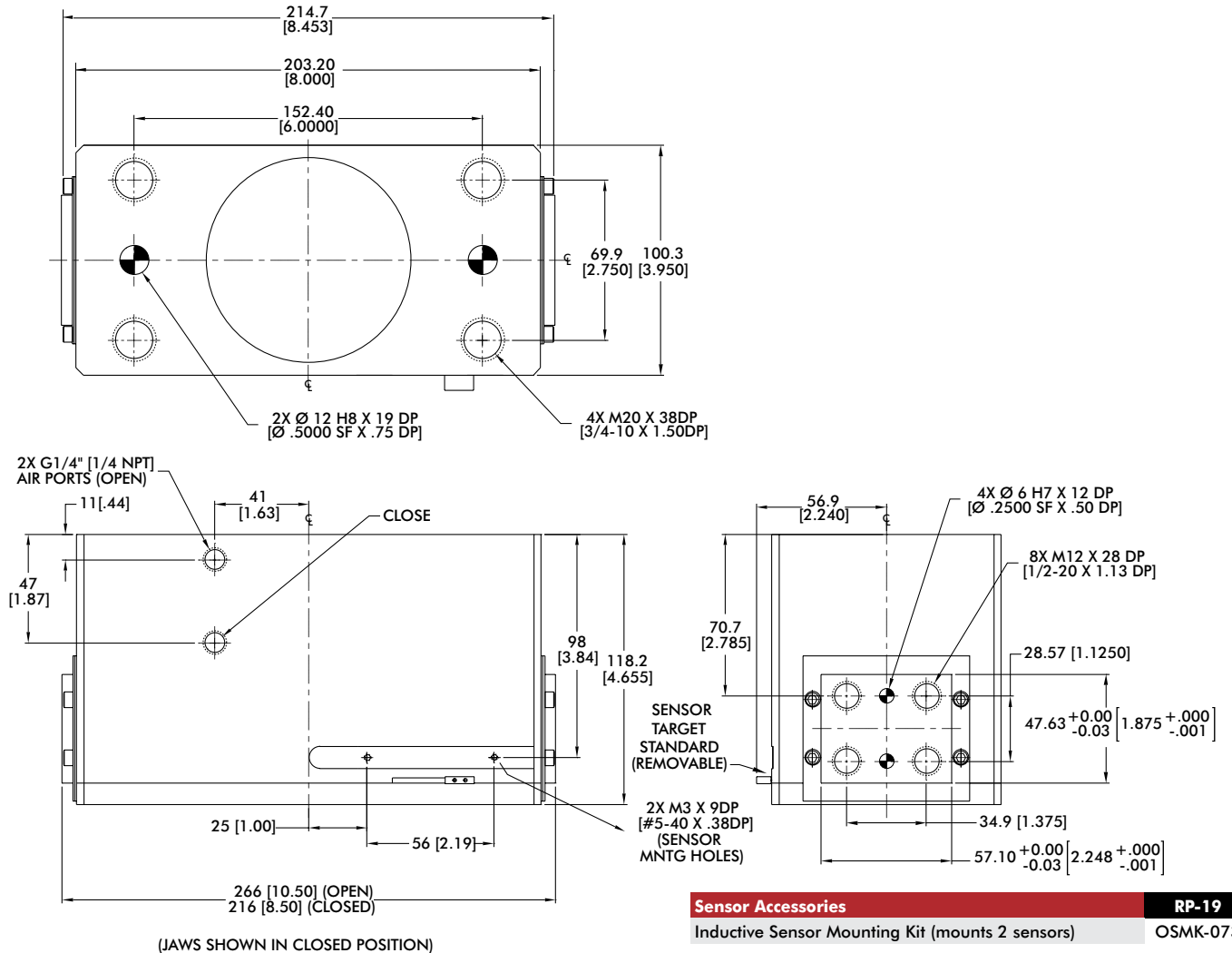
Loading Information



RP-18	Static	Dynamic
Maximum Tensile T	6672 N [1500 lbs]	1112 N [250 lbs]
Maximum Compressive C	13345 N [3000 lbs]	1112 N [250 lbs]
Maximum Moment M_x	170 Nm [1500 in-lbs]	28 Nm [250 in-lbs]
Maximum Moment M_y	170 Nm [1500 in-lbs]	28 Nm [250 in-lbs]
Maximum Moment M_z	170 Nm [1500 in-lbs]	28 Nm [250 in-lbs]

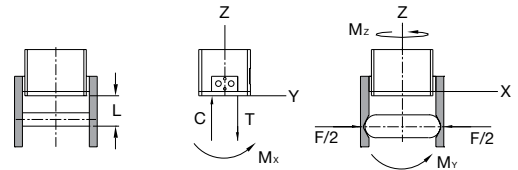
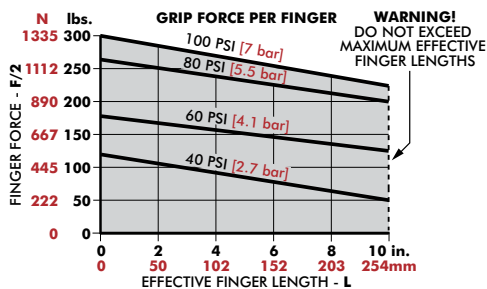
*Capacities are per set of jaws and are not simultaneous

2-Jaw General Industrial Parallel Grippers | Dimensions and Technical Specifications



Sensor Accessories		RP-19
Inductive Sensor Mounting Kit (mounts 2 sensors)		OSMK-073
Seal Repair Kits		RP-19
Buna-N Seal Repair Kit		SLKT-044
Viton® Seal Repair Kit		SLKT-044V
Pneumatic Accessories		RP-19
Fail Safe Valve (Imperial)		OFSV-003
Fail Safe Valve (Metric)		OFSV-006

Loading Information



RP-19	Static	Dynamic
Maximum Tensile T	13345 N [3000 lbs]	1334 N [300 lbs]
Maximum Compressive C	26689 N [6000 lbs]	1334 N [300 lbs]
Maximum Moment M_x	565 Nm [5000 in-lbs]	56 Nm [500 in-lbs]
Maximum Moment M_y	565 Nm [5000 in-lbs]	56 Nm [500 in-lbs]
Maximum Moment M_z	565 Nm [5000 in-lbs]	56 Nm [500 in-lbs]

*Capacities are per set of jaws and are not simultaneous