



High-low System Block

50 to 100ℓ/min
25MPa

Features

Simple high-low 2-speed control can be attained by stacking this block on top of a high-low base block and manifold, which configures a speed control circuit.

Specifications

Model No.	Nominal Diameter (Size)	Maximum Working Pressure MPa{kgf/cm ² }	Maximum Flow Rate ℓ/min	Weight kg
OB-G01-W-20	1/8	25 {255}	50	1.5
OB-G01-W-H-20				2.5
OB-G03-W-J30	3/8	25 {255}	100	4.5
OB-G03-W-H-J30				7.1

●Handling

① If a base block is required, use MOB-01Y-W*-10 for the 01 size and MOB-03X-B*-J30 for the 03 size, because their valve pitches match. MOB-01X-B*-10 has a different valve pitch, and so cannot be used.

② When installing this block, make sure the nameplate is oriented so it can be read correctly from the A port side.

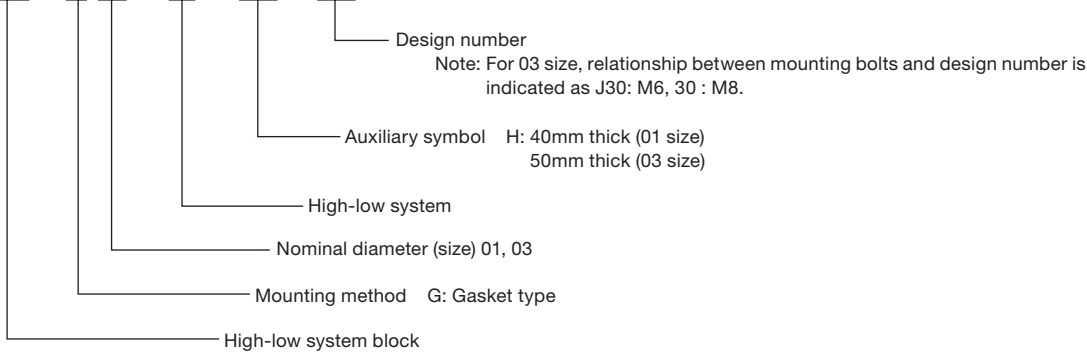
③ Both of the cylinder ports on this block's manifold side (bottom) are open. Because of this, close one of the base block cylinder ports (A1, B1

or A2, B2 on the next page), or modify the manifold so it has a single cylinder port only.

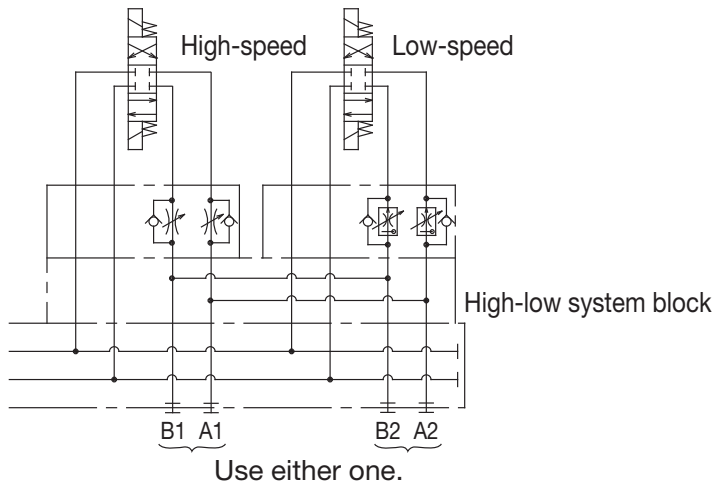
④ Note that installation bolts are not included. See pages D-90 through D-95 if these items are required.

Explanation of model No.

OB - G 01 - W - (H) - 20

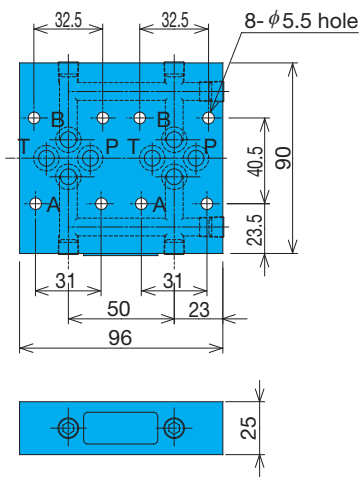


Example of Typical Circuit

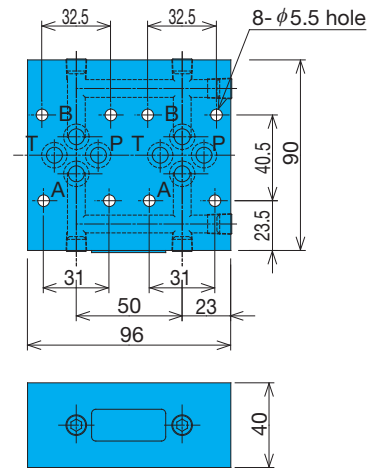


Installation Dimension Drawings

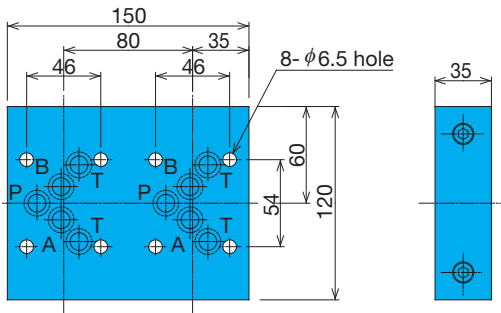
OB-G01-W-20



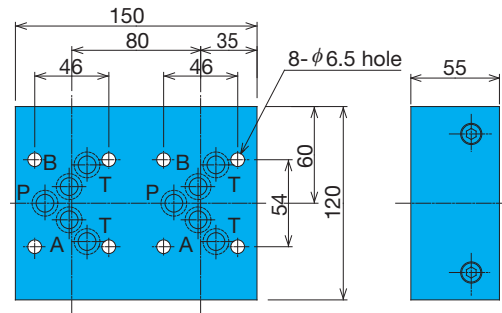
OB-G01-W-H-20



OB-G03-W-J30



OB-G03-W-H-J30



Seal Part List

Size	Part Name	Part Number	Q'ty
01	O-ring	AS568-012(NBR-90)	8
03	O-ring	NBR-90 P12	10

Note) The materials and hardness of the O-ring conform with JIS B2401.