

# 202 Series

## Vertical Hold Down Clamps | Product Overview

### Features:

- Two bar styles available
- Low profile T-Handle version available
- Available in stainless steel
- Accommodates M6 or 1/4" spindle accessories
- BLK models feature a black, non-reflective finish

### Applications:

- Checking fixtures
- Assembly & test
- Light machining
- Woodworking

### Also Available:

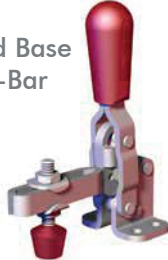
See page MC-ACC-1 for accessories

802-U Pneumatic Toggle Clamp  
(See page MC-PTC-5)

**202-U**  
Flanged Base  
U-Bar



**202-UL**  
Flanged Base  
Long U-Bar



**202-USS**  
Flanged Base  
U-bar, Stain-  
less Steel



**202**  
Flange Base  
Solid Bar



**202-SS**  
Flanged Base  
Solid Bar  
Stainless Steel



**202-UB**  
Straight Base  
U-bar



**202-B**  
Straight Base  
Solid Bar



**202-TU**  
Flanged Base  
U-bar,  
T-Handle



**202-T**  
Flanged Base  
Solid Bar  
T-Handle



**202-U-L** ⓘ  
Flanged Base  
Open U-Bar



**202-U-L-BLK** ⓘ  
Blackout Series  
Flanged Base  
Open U-Bar



**202-UB -L** ⓘ  
Straight Base  
Open U-Bar



**202-UB -L-BLK** ⓘ  
Blackout Series  
Straight Base  
Open U-Bar



**202305**

Flanged Grip.  
Provides added safety  
and protection. Fits all  
202 Series (except  
T-Handle) clamps.  
Order separately.



ⓘ This item is available upon request

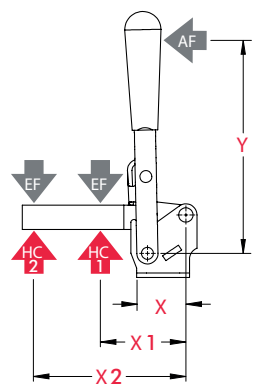
# 202 Series

## Vertical Hold Down Clamps | Technical Information

Model	Max. Holding Capacity	Clamp Bar Opening (+10°)	Handle Opening (+10°)	Weight	Accessories (Supplied)	
					Spindle Assembly	Flanged Washers
202-U	890 N [200 lbf]	105°	65°	0,16kg [0.35lbs]	202208-M	215105
202-UL	1110 N [250 lbf]				202943-M	215905
202-USS	890 N [200 lbf]			202208-M	---	
202	1110 N [250 lbf]			205943-M	---	
202-SS	890 N [200 lbf]			202208-M	215105	
202-UB						
202-B						
202-TU						
202-T						
202-U-L ⓘ				---	---	
202-U-L-BLK ⓘ						
202-UB-L ⓘ						
202-UB-L-BLK ⓘ						

ⓘ This item is available upon request

## Holding Capacities



Model	X	X1	X2	Y	±HC1	±HC2	±EF(X1):AF	±EF(X2):AF	
202-U	[0.79] 20	[1.25] 32	[2.25] 57	[3.42] 87	[200 lbf] 890N	[140 lbf] 625N	10:1	5:1	
202-UL			[2.88] 73					[150 lbf] 670N	4:1
202-USS			[2.25] 57	[3.00] 76		[250 lbf] 1110N	[170 lbf] 760N	5:1	
202				[1.88] 48	[3.42] 87	---	[200 lbf] 890N	---	8:1
202-SS					[3.00] 76	---	[250 lbf] 1110N		
202-UB			[1.25] 32	[2.25] 57	[3.42] 87	[200 lbf] 890N	[140 lbf] 625N	10:1	5:1
202-B				[1.88] 48		---	[200 lbf] 890N	---	8:1
202-TU			[1.25] 32	[2.25] 57	[2.13] 54	[200 lbf] 890N	[140 lbf] 625N	11:1	7:1
202-T				[1.88] 48		---	[200 lbf] 890N	---	6:1
202-U-L ⓘ									
202-U-L-BLK ⓘ			[1.25] 32	[2.25] 57	[3.42] 87	[200 lbf] 890N	[140 lbf] 625N	10:1	5:1
202-UB-L ⓘ									
202-UB-L-BLK ⓘ									

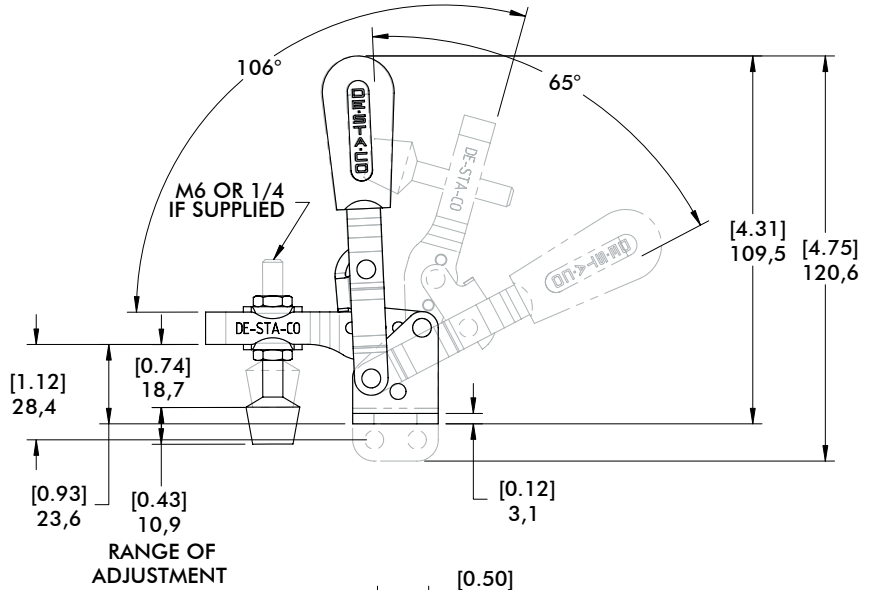
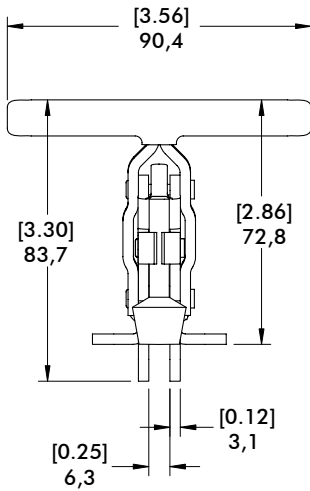
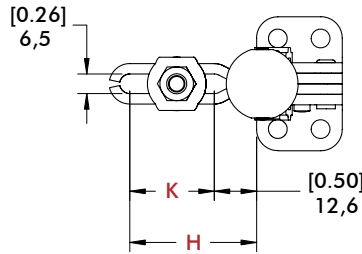
Dimensions shown "mm [inch]" ± HC = Holding Capacity, EF = Exerting Force, AF = Applied Force

ⓘ This item is available upon request

# 202 Series

## Vertical Hold Down Clamps | Dimensions | -U/-UL/-USS/-SS/-UB/-B/-TU/-T

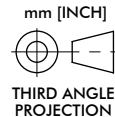
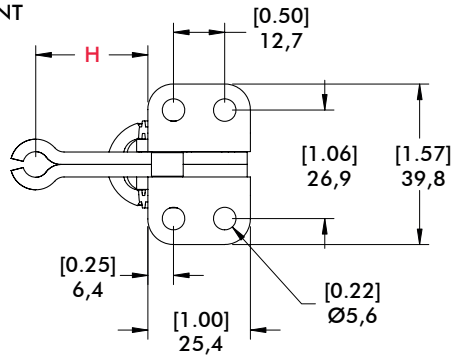
**202-U**  
Flanged Base  
U-Bar



### Open Bar Option

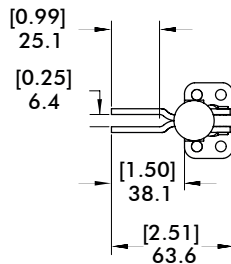


See page  
MC-ACC-7  
for complete  
offering of open  
bar accessories



Flanged Base  
**Model**

202-U-L ⓘ  
202-U-L-BLK ⓘ



Straight Base  
**Model**

202-UB-L ⓘ  
202-UB-L-BLK ⓘ



Bar Style	Clamp Models	H	K
	202-U/202-UB/ 202-USS/202-TU	[1.73] 44,1	[0.98] 25
	202-UL ⓘ	[2.29] 58,1	[1.51] 38,4
	202/202-B/ 202-T/202-SS	[1.08] 27,4	---
	202-U-L ⓘ/ 202-UB-L ⓘ	[1.50] 38,1	---

ⓘ This item is available upon request