

201 Series

Vertical Hold Down Clamps | Product Overview

Features:

- Smallest series in the Vertical Handle series
- Stainless steel version available

Applications:

- Checking fixtures
- Assembly & test
- Woodworking

Also Available:

See page MC-ACC-1 for accessories

812-U Pneumatic Toggle Clamp
 (See page MC-PTC-3)

201-U
 Flanged Base
 U-Bar



201-UB
 Straight Base



201-TU
 Flanged
 Base, U-Bar,
 T-Handle



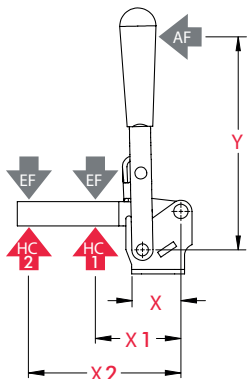
201-USS
 Flanged Base
 U-Bar, Stainless
 Steel



Technical Information

| Model | Max. Holding Capacity | Clamp Bar Opening (+10°) | Handle Opening (+10°) | Weight | Accessories (Supplied) | |
|---------|-----------------------|--------------------------|-----------------------|------------------|------------------------|-----------------|
| | | | | | Spindle Assembly | Flanged Washers |
| 201-U | 440 N [100 lbf] | 100° | 55° | 0,70kg [0.15lbs] | 305208-M | 102111 |
| 201-UB | | | | | | |
| 201-TU | | | | | | |
| 201-USS | 560 N [125 lbf] | | | | 201943-M | 102911 |

Holding Capacities



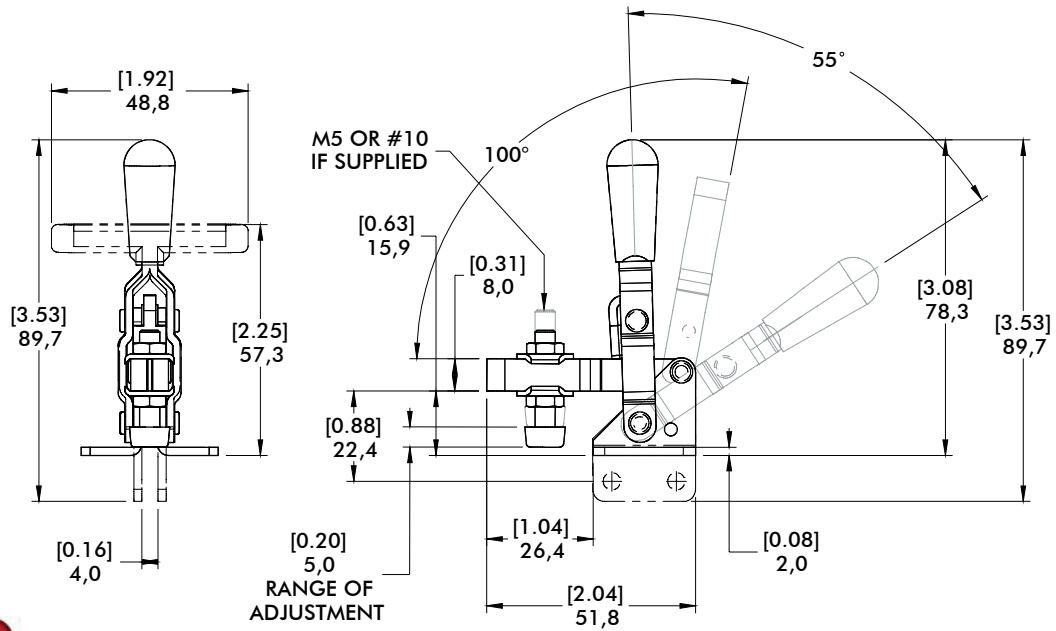
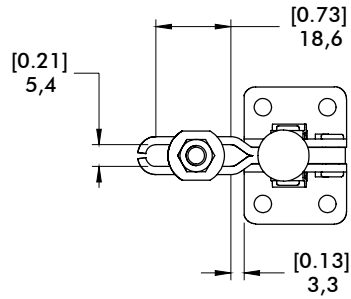
| Model | X | X1 | X2 | Y | ‡HC1 | ‡HC2 | ‡EF(X1):AF | ‡EF(X2):AF |
|-------|--------------|--------------|----------------|--------------|-------------------|------------------|------------|------------|
| U/UB | | | | [2.25] 57 | [100lbf.] 440N | [55lbf.] 245N | 9:1 | 6:1 |
| TU | [0.87] 22 | [1.06] 27 | [1.75] 44,5 | [1.38] 35 | | | 8.4:1 | 4:4:1 |
| USS | | | | [2.25] 57 | [125lbf.] 560N | [60lbf.] 270N | 9:1 | 6:1 |

Dimensions shown "mm [inch]" ‡ HC = Holding Capacity, EF = Exerting Force, AF = Applied Force
 See page MC-TEC-4 for additional information.

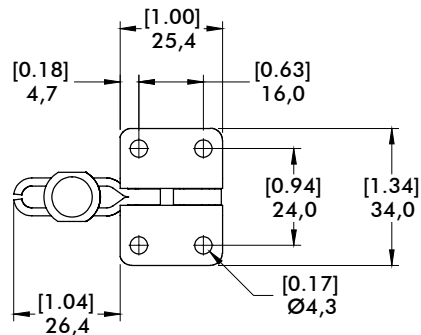
201 Series

Vertical Hold Down Clamps | Dimensions | -U/-UB/-TU/-USS

201-U
Flanged Base
U-Bar



201-UB
Straight Base



mm [INCH]
THIRD ANGLE
PROJECTION