

NACHI

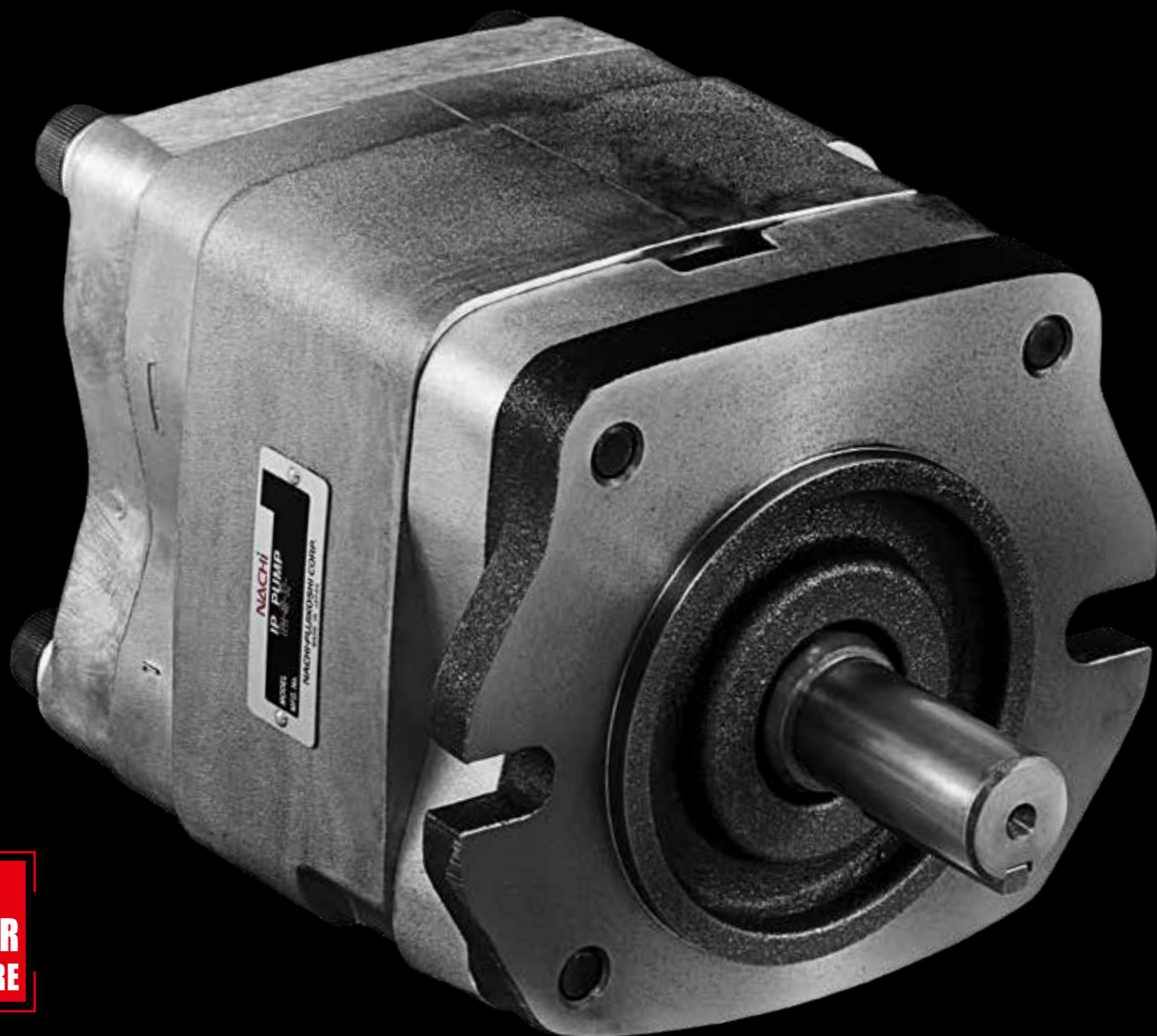
NACHI EUROPE GmbH

**OUR SYNERGY
YOUR PERFORMANCE**

INTERNAL GEAR PUMP IPH SERIES WITH METRIC-SHAFT



CELEBRATE THE POLE POSITION

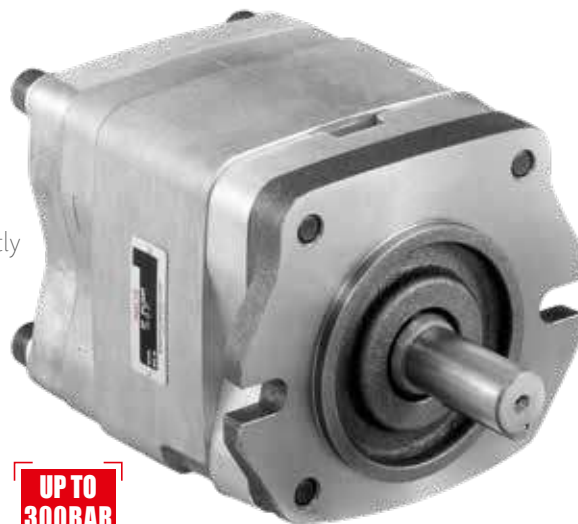


**UP TO
300BAR
PRESSURE**

A patented axial and radial pressure loading system provides high efficiency and generates maximum pressures up to 300bar.

IPH SERIES

- ▶ A patented axial and radial pressure loading system provides high efficiency and generates maximum pressures up to 300bar
- ▶ A modified involute short tooth gear enables internal gearing for greatly reduced pulsation and noise, and exceptionally quiet operation.
- ▶ Compact, light and less components
- ▶ Impervious design for a long lifetime
- ▶ Minimum on internal leakage brings very high efficiency
- ▶ Elastic bearings allows a movement that expand the life time and reduce wearout.
- ▶ Unique plain bearing support mechanism (easy maintenance)



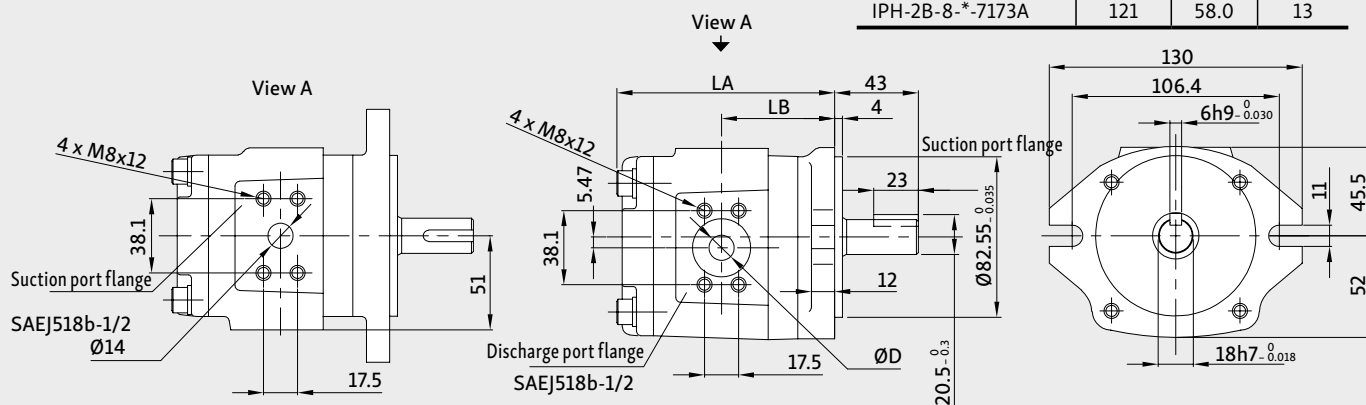
**UP TO
300BAR
PRESSURE**

A patented axial and radial pressure loading system provides high efficiency and generates maximum pressures up to 300bar.

IPH-2B-* -7173A

(Flange Mounting, Clockwise Rotation)

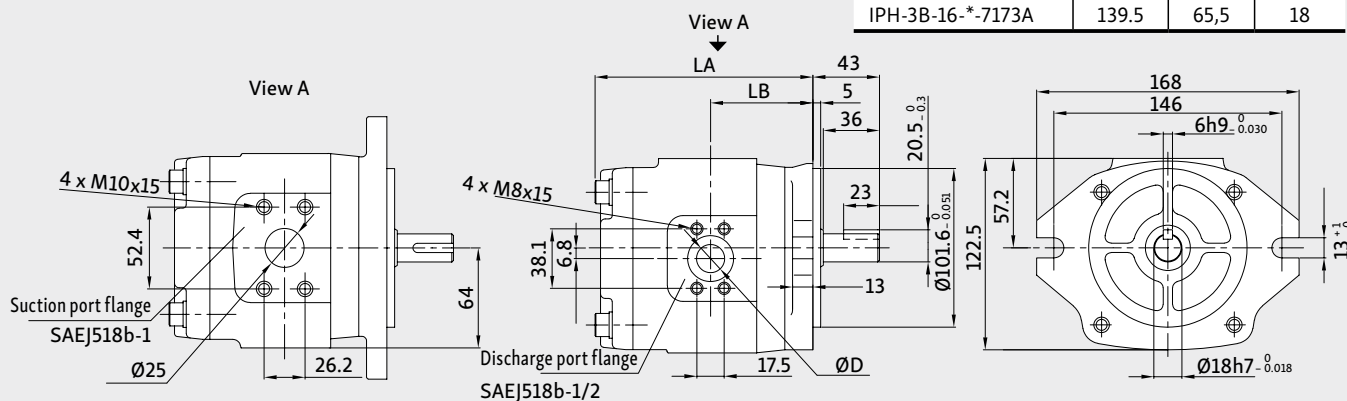
Model No.	LA [mm]	LB [mm]	ØD [mm]
IPH-2B-3.5-* -7173A	107	51.0	8.9
IPH-2B-5-* -7173A	112	53.5	11
IPH-2B-6.5-* -7173A	116	55.5	12
IPH-2B-8-* -7173A	121	58.0	13



IPH-3B-* -7173A

(Flange Mounting, Clockwise Rotation)

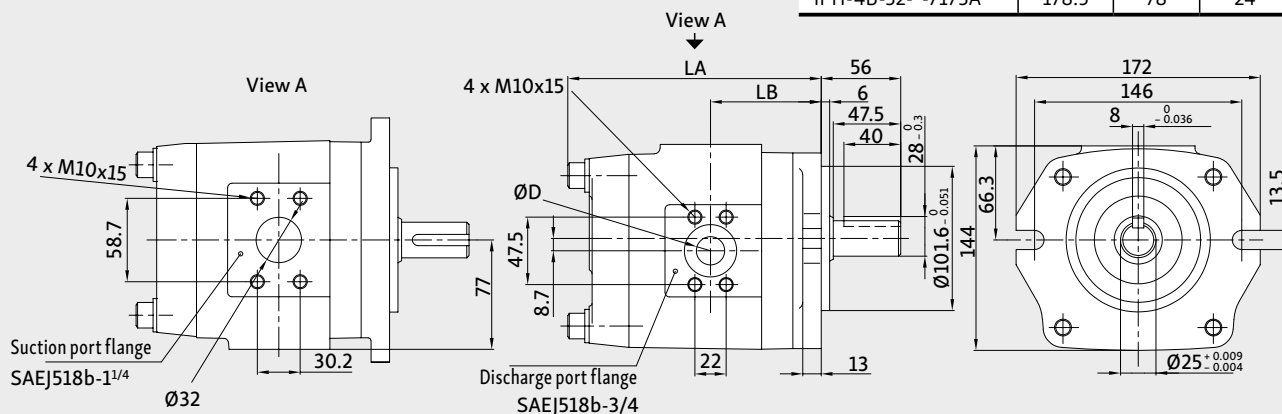
Model No.	LA [mm]	LB [mm]	ØD [mm]
IPH-3B-10-* -7173A	128.5	60	14
IPH-3B-13-* -7173A	134.5	63	17
IPH-3B-16-* -7173A	139.5	65.5	18



IPH-4B-* -7173A

(Flange Mounting, Clockwise Rotation)

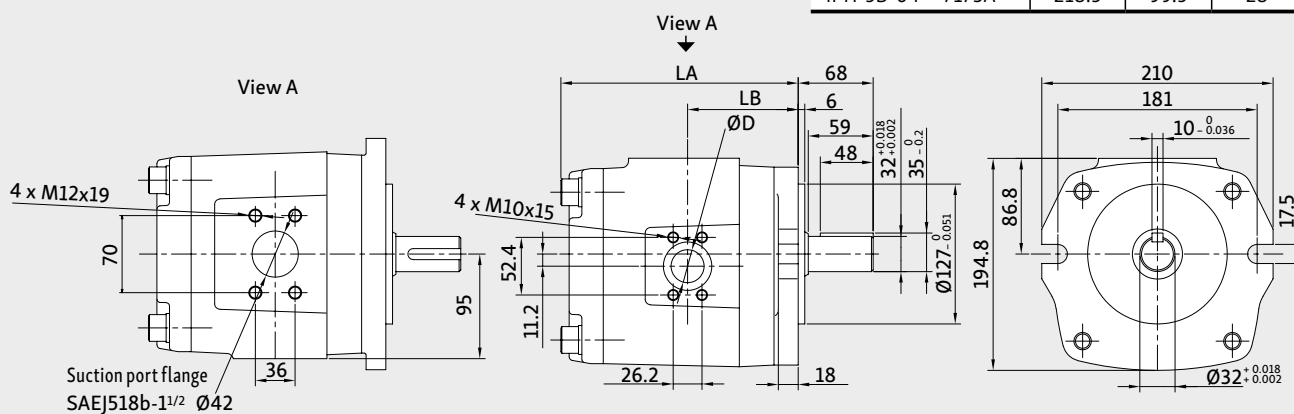
Model No.	LA [mm]	LB [mm]	ØD [mm]
IPH-4B-20-* -7173A	164.5	71	18
IPH-4B-25-* -7173A	170.5	74	20
IPH-4B-32-* -7173A	178.5	78	24



IPH-5B-* -7173A

(Flange Mounting, Clockwise Rotation)

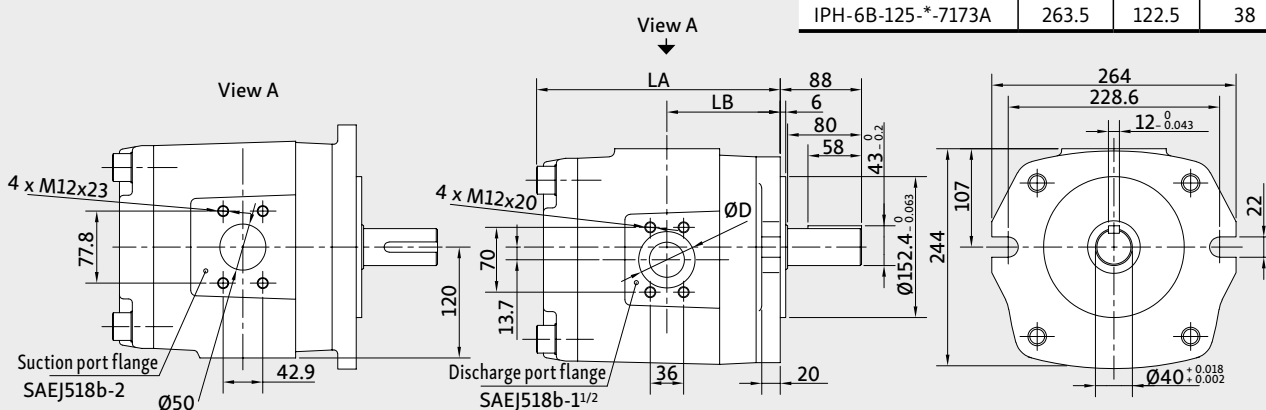
Model No.	LA [mm]	LB [mm]	ØD [mm]
IPH-5B-40-* -7173A	201.5	91	24
IPH-5B-50-* -7173A	208.5	94.5	26
IPH-5B-64-* -7173A	218.5	99.5	28



IPH-6B-* -7173A

(Flange Mounting, Clockwise Rotation)

Model No.	LA [mm]	LB [mm]	ØD [mm]
IPH-6B-80-* -7173A	241.5	111.5	32
IPH-6B-100-* -7173A	251.5	116.5	36
IPH-6B-125-* -7173A	263.5	122.5	38



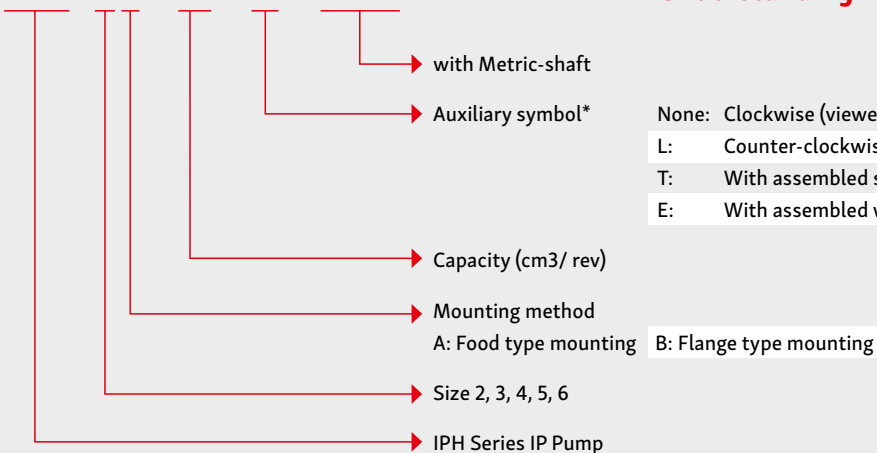
INTERNAL GEAR PUMP WITH METRIC-SHAFT

SPECIFICATIONS

Model No.			Capacity	Rated Pressure* ¹	Max. Operating Pressure* ²	Min. Revolution Speed	Max. Revolution Speed	Weight kg	
								cm ³ /rev	bar
IPH-2A(B)-	3.5-	-7173A	3.60	250	300	600	2000	4.4	2.4
	5		5.24					4.5	2.5
	6.5		6.55					4.6	2.6
	8		8.18					4.8	2.8
IPH-3A(B)-	10-	-7173A	10.2	250	300	600	2000	10.5	4.8
	13		13.3					10.7	5.0
	16		15.8					11.0	5.3
IPH-4A(B)-	20-	-7173A	20.7	250	300	500	2000	15.2	9.5
	25		25.7					15.7	10.0
	32		32.3					16.2	10.5
IPH-5A(B)-	40-21	-7173A	40.8	250	300	400	2000	32.0	19.0
	50		50.3					33.0	20.0
	64		63.9					34.0	21.0
IPH-6A(B)-	80-21	-7173A	81.3	250	300	300	2000	62.0	39.0
	100		101.6					64.0	41.0
	125		125.9					66.0	43.0

See further detailed information on our main catalogue chapter C

IPH - 4 B - 25 - LT - 7173A



Understanding Model Numbers

- None: Clockwise (viewed from shaft end)
- L: Counter-clockwise (viewed from shaft end)
- T: With assembled screw in type flange kit
- E: With assembled welded type flange kit

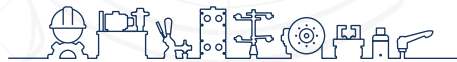


Note: The information contained in this brochure is protected by copyright. Therefore, it is forbidden to copy, reprint or reproduce in any other way the content without permission from NACHI. Subject to changes without notice.

* Auxiliary symbol(s) must be provided in alphabetic order.

*¹ Rated pressure: The maximum pressure at which a hydraulic pump can be used continuously

*² Maximum operating pressure: The maximum pressure (including surge pressure) at which a hydraulic pump can be used within six seconds at most within 1/10 of the cycle time.



inf @ /CESEHSA.com.mx

