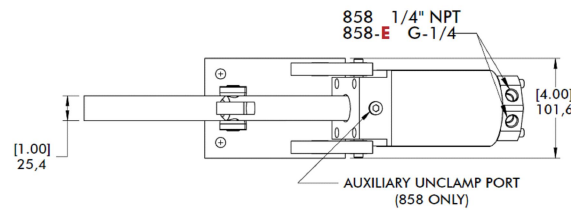
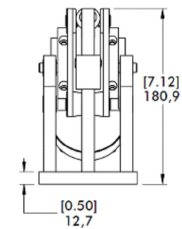
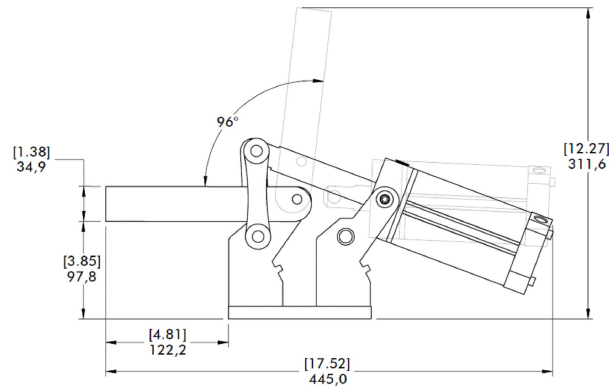
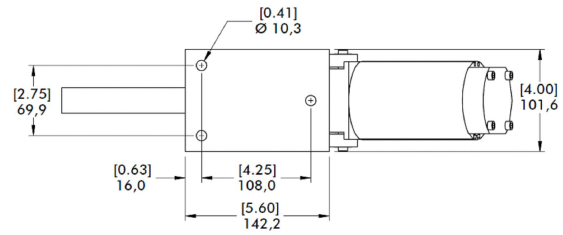
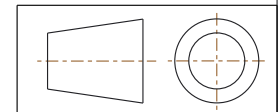


CLOSED POSITION



**NOTES :**

1. MAX. HOLDING CAPACITY INNER : [4,000 lbf] 17800 N
2. MAX. HOLDING CAPACITY OUTER : [2,000 lbf] 8900 N
3. MAXIMUM EXERTING FORCE INNER @ [72 PSI] 5 bar : [1,530 lbf] 6857 N
4. MAXIMUM EXERTING FORCE OUTER @ [72 PSI] 5 bar : [800 lbf] 3585 N
5. WEIGHT : [16.11 lb] 7.31 kg
6. BORE SIZE : [2.48] 63
7. AIR CONSUMPTION : [0.109 ft³] 3,08 dm³
8. PORT SIZE : 1/4 NPT
9. REFER CATALOG PAGE FOR MORE DETAILS
10. DIMENSIONS AND TOLERANCES SUBJECT TO CHANGE WITHOUT PRIOR NOTICE




15 Corporate Drive,  
Auburn Hills, MI 48326, USA  
Phone: 888-337-8226, Fax: 800-682-9689  
www.destaco.com

This Drawing is the Property of DESTACO.  
It contains confidential, proprietary information that is DESTACO property. Do not disclose to or duplicate for others except as authorized by DESTACO.

COMPONENT		Pneumatic Toggle Clamps	
DIMENSIONS : [IN] MM	<b>858</b>	REV	11/04/19
TOLERANCES : ±[0.020] 0.51		SHEET	1 of 1
<b>858-SERIES</b>			