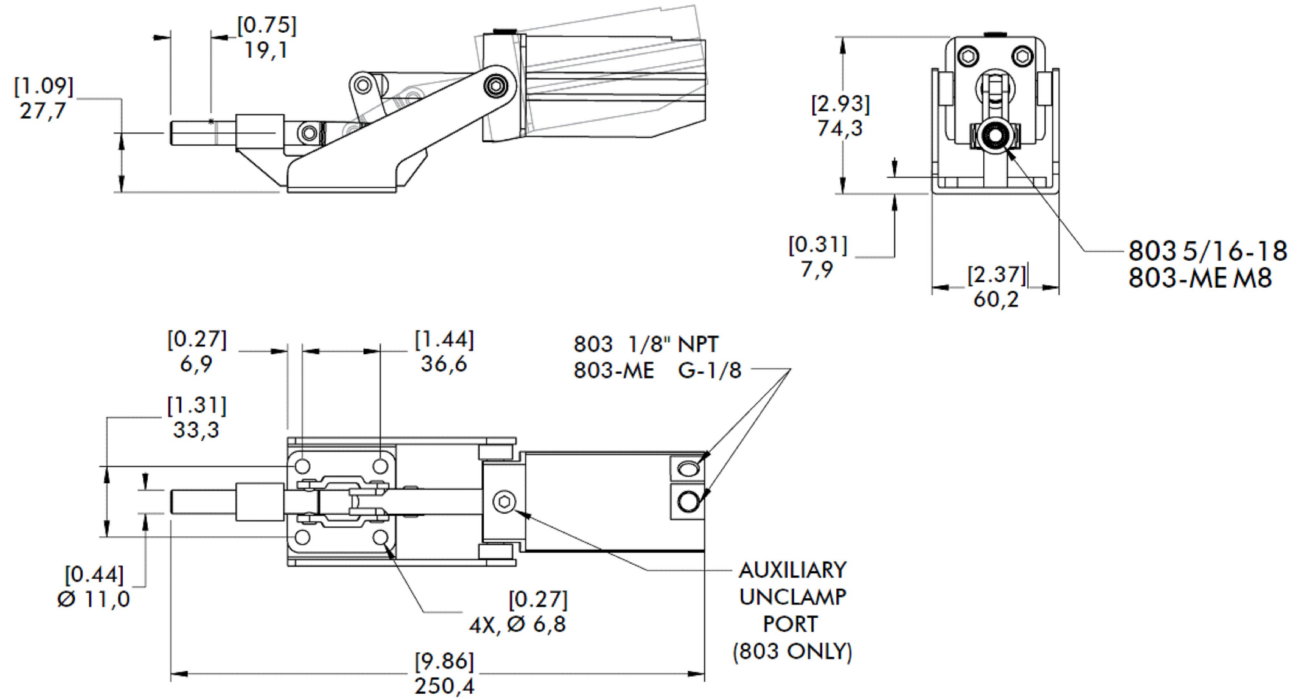
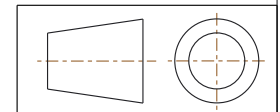



CLOSED POSITION



NOTES :

1. MAX. HOLDING CAPACITY : [600 lbf] 2670 N
2. MAXIMUM EXERTING FORCE @ [72 PSI] 5 bar : [675 lbf] 3015 N
3. PLUNGER TRAVEL : [0.75] 19,1
4. PLUNGER THREAD : 5/16-18
5. WEIGHT : [1.86 lb] 0,84 kg
6. BORE SIZE : [1.26] 32
7. AIR CONSUMPTION : [0.015 ft³] 0,42 dm³
8. PORT SIZE : 1/8 NPT
9. REFER CATALOG PAGE FOR MORE DETAILS
10. DIMENSIONS AND TOLERANCES SUBJECT TO CHANGE WITHOUT PRIOR NOTICE



 <p>15 Corporate Drive, Auburn Hills, MI 48326, USA Phone: 888-337-8226, Fax: 800-682-9689 www.destaco.com</p>	<p>This Drawing is the Property of DESTACO. It contains confidential, proprietary information that is DESTACO property. Do not disclose to or duplicate for others except as authorized by DESTACO.</p>	<p>COMPONENT</p>	<p>Pneumatic Toggle Clamps</p>	
		<p>DIMENSIONS : [IN] MM</p>	<p>803</p>	
		<p>TOLERANCES : ±[0.020] 0.51</p>	<p>803-SERIES</p>	
				<p>10/04/19</p>
				<p>SHEET</p>
				<p>1 of 1</p>