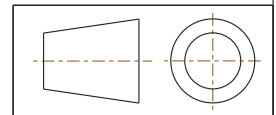
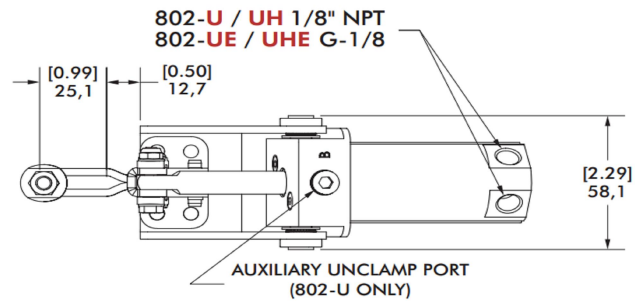
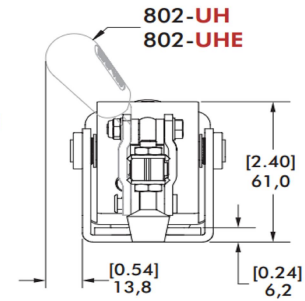
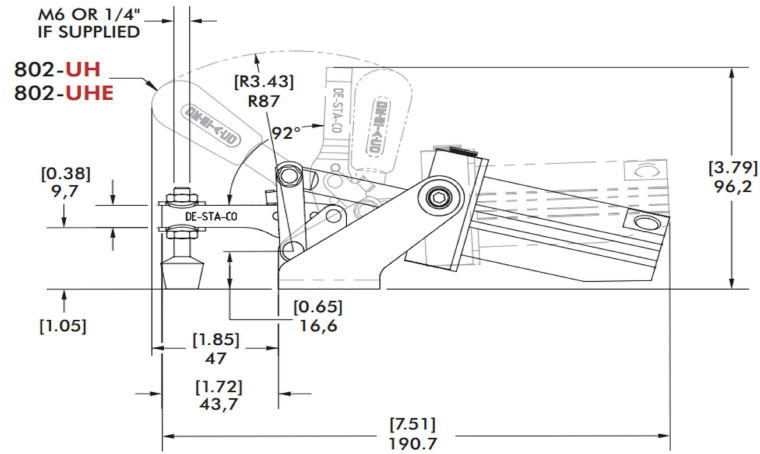
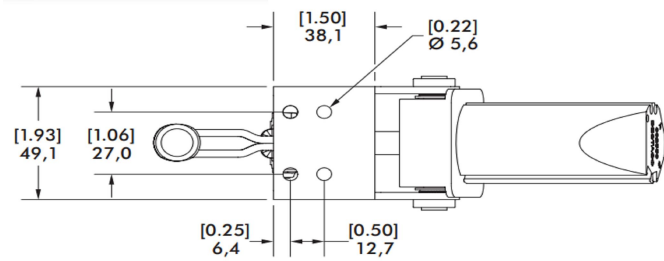


CLOSED POSITION



NOTES :

1. MAX. HOLDING CAPACITY INNER : 890 N [200 lbf]
2. MAX. HOLDING CAPACITY OUTER : 490 N [110 lbf]
3. WEIGHT : 0,73 kg [1.60 lb]
4. MAX. EXERTING FORCE @5 BAR [72 PSI] INNER : 2010 N [450 lbf]
5. MAX. EXERTING FORCE @5 BAR [72 PSI] OUTER : 1045 N [234 lbf]
6. REFER CATALOG PAGE FOR MORE DETAILS
7. DIMENSIONS AND TOLERANCES SUBJECT TO CHANGE WITHOUT PRIOR NOTICE



15 Corporate Drive,
 Auburn Hills, MI 48326, USA
 Phone: 888-337-8226, Fax: 800-682-9689
 www.destaco.com

This Drawing is the Property of DESTACO.
 It contains confidential, proprietary
 information that is DESTACO property. Do
 not disclose to or duplicate for others
 except as authorized by DESTACO.

COMPONENT		Pneumatic Toggle Clamps	
DIMENSIONS : [IN] MM	802-UE		REV
			04/08/19
TOLERANCES : ±[0.020] 0.51	802-SERIES		SHEET
			1 of 1