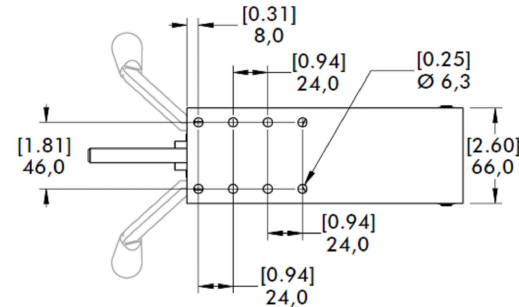
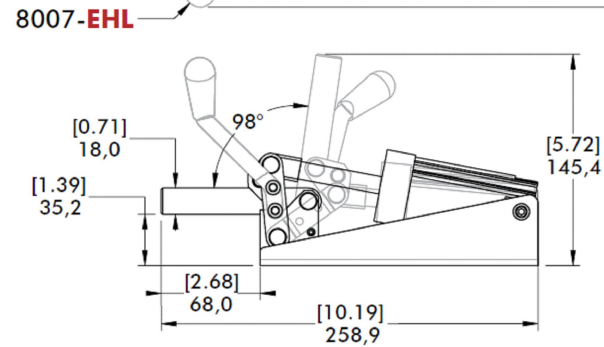
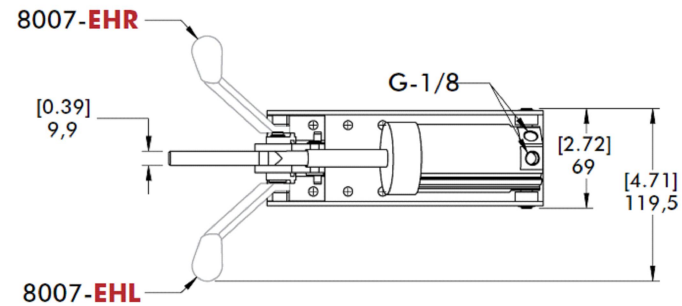
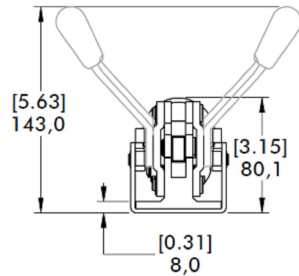
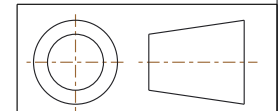


CLOSED POSITION



**NOTES :**

1. MAX. HOLDING CAPACITY INNER : [830 lbf] 3700 N
2. MAX. HOLDING CAPACITY OUTER : [405 lbf] 1800 N
3. MAXIMUM EXERTING FORCE INNER @ [72 PSI] 5 bar : [606 lbf] 2700 N
4. MAXIMUM EXERTING FORCE OUTER @ [72 PSI] 5 bar : [225 lbf] 1000 N
5. WEIGHT : [3.75 lb] 1,7 kg
6. BORE SIZE : [1.26] 32
7. AIR CONSUMPTION : [0.016 ft³] 0,44 dm³
8. PORT SIZE : G-1/8
9. REFER CATALOG PAGE FOR MORE DETAILS
10. DIMENSIONS AND TOLERANCES SUBJECT TO CHANGE WITHOUT PRIOR NOTICE



**COMPONENT**

Pneumatic Toggle Clamps

DIMENSIONS : [IN] MM

**8007-EHR**

**REV**

11/04/19

TOLERANCES : ±[0.020] 0.51

**8007-SERIES**

**SHEET**

1 of 1



15 Corporate Drive,  
Auburn Hills, MI 48326, USA  
Phone: 888-337-8226, Fax: 800-682-9689  
www.destaco.com

This Drawing is the Property of DESTACO.  
It contains confidential, proprietary  
information that is DESTACO property. Do  
not disclose to or duplicate for others  
except as authorized by DESTACO.