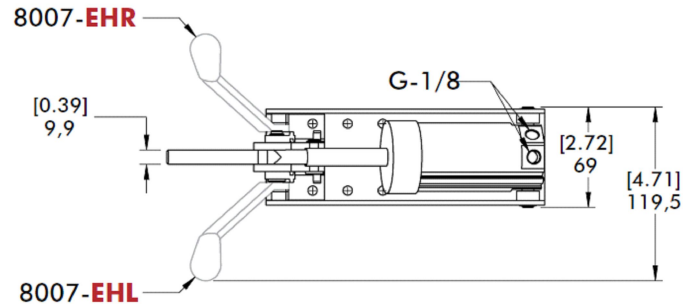
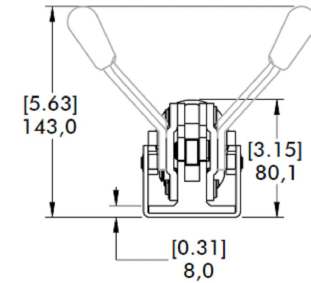
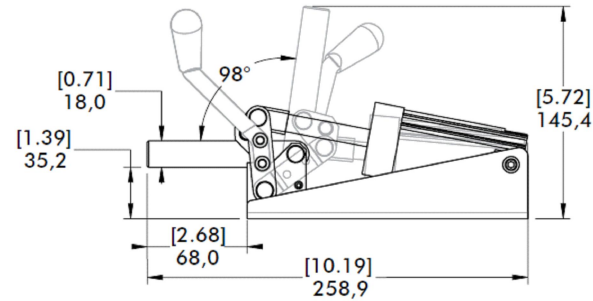
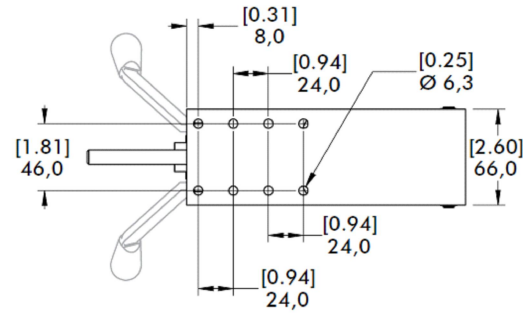
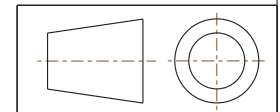


CLOSED POSITION



NOTES :

1. MAX. HOLDING CAPACITY INNER : [830 lbf] 3700 N
2. MAX. HOLDING CAPACITY OUTER : [405 lbf] 1800 N
3. MAXIMUM EXERTING FORCE INNER @ [72 PSI] 5 bar : [606 lbf] 2700 N
4. MAXIMUM EXERTING FORCE OUTER @ [72 PSI] 5 bar : [225 lbf] 1000 N
5. WEIGHT : [3.53 lb] 1,6 kg
6. BORE SIZE : [1.26] 32
7. AIR CONSUMPTION : [0.016 ft³] 0,44 dm³
8. PORT SIZE : G-1/8
9. REFER CATALOG PAGE FOR MORE DETAILS
10. DIMENSIONS AND TOLERANCES SUBJECT TO CHANGE WITHOUT PRIOR NOTICE



15 Corporate Drive,
Auburn Hills, MI 48326, USA
Phone: 888-337-8226, Fax: 800-682-9689
www.destaco.com

This Drawing is the Property of DESTACO.
It contains confidential, proprietary information that is DESTACO property. Do not disclose to or duplicate for others except as authorized by DESTACO.

COMPONENT		Pneumatic Toggle Clamps	
DIMENSIONS : [IN] MM	8007-E	REV	10/04/19
TOLERANCES : ±[0.020] 0.51		SHEET	1 of 1
		8007-SERIES	