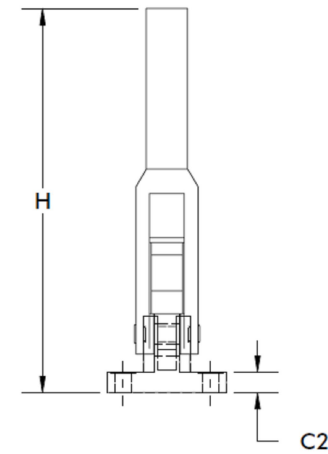
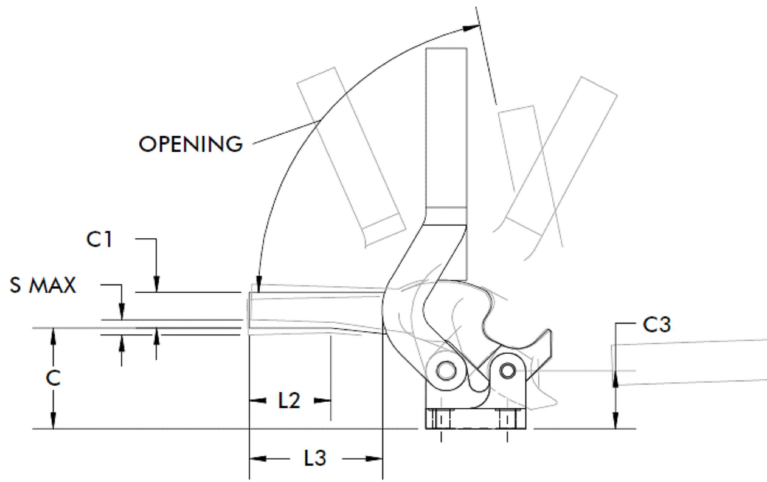
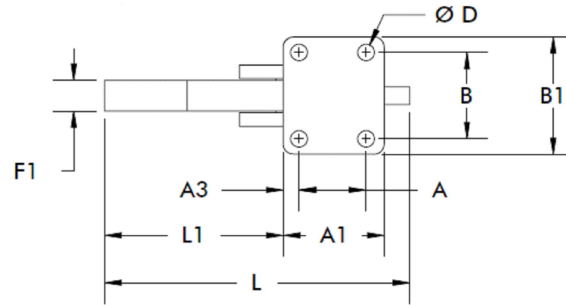




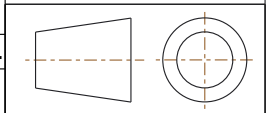
CLOSED POSITION



NOTES :

1. MAX. HOLDING CAPACITY : 2110 N [475 lbf]
2. CLAMP BAR OPENING (+ 10°) : 80°
3. WEIGHT : 0,45 kg [1.0 lbs]
4. DIMENSIONS AND TOLERANCES SUBJECT TO CHANGE WITHOUT PRIOR NOTICE

A	A1	A3	B	B1	C	C1	C2
[0.75] 19,1	[1.25] 31,8	[0.25] 6,1	[1.25] 31,8	[1.75] 44,5	[1.44] 36,6	[0.50] 12,7	[0.31] 7,9
C3	D	F1	H	L	L1	L2	S MAX.
[1.00] 25,4	[0.22] 5,6	[0.50] 12,7	[5.00] 127	[4.63] 117,6	[3.12] 79,3	N/A	[0.13] 3,3



COMPONENT VERTICAL HOLD-DOWN CAM ACTION CLAMP



15 Corporate Drive,
Auburn Hills, MI 48326, USA
Phone: 888-337-8226, Fax: 800-682-9689
www.destaco.com

This Drawing is the Property of DESTACO.
It contains confidential, proprietary
information that is DESTACO property. Do
not disclose to or duplicate for others
except as authorized by DESTACO.

DIMENSIONS : [IN] MM

TOLERANCES : ±[0.020] 0.51

7-101

7-101-SERIES

REV

09/08/17

SHEET

1 of 1