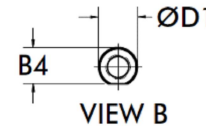
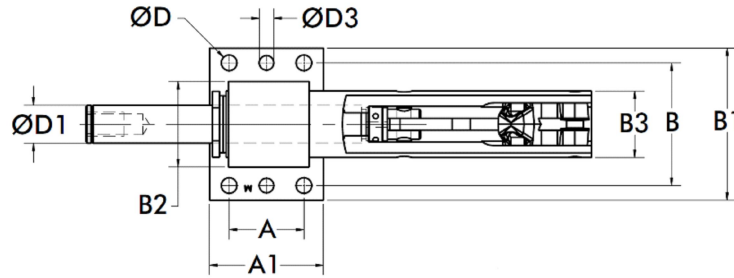
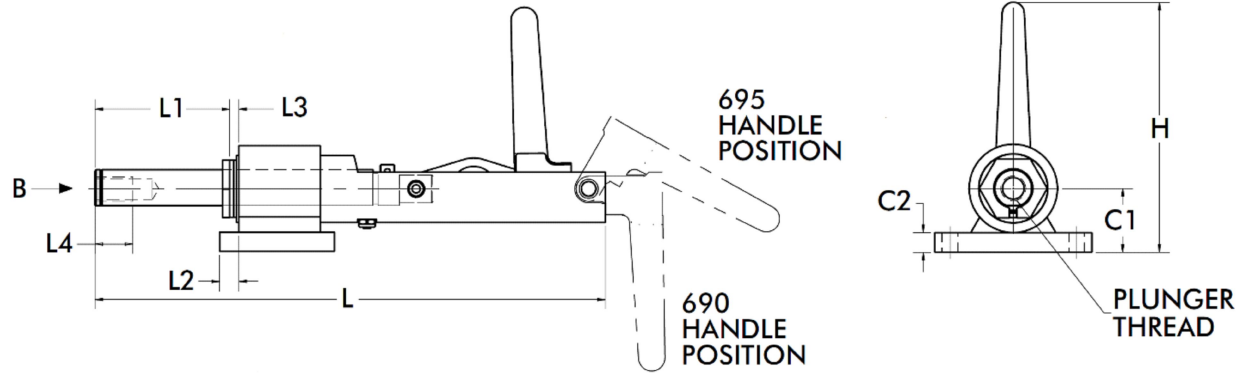
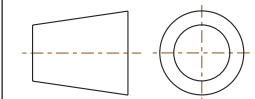


CLOSED POSITION



A	[1.97] 50	D1	[1.00] 25,4
A1	[3.00] 76,2	D2H7	N/A
B	[3.23] 82	D3	[0.39] 9,8
B1	[4.00] 101,6	H	[6.37] 162
B2	[2.25] 57,2	L	[9.45] 240
B3	[1.75] 44,4	L1	[2.25] 57,2
B4	[0.93] 23,7	L2	[0.38] 9,5
C1	[1.63] 41,3	L3	[0-0.31] 0-8
C2	[0.50] 12,7	L4	[0.98] 25
D	[0.41] 10,5	L5	N/A



NOTES :

1. MAX. HOLDING CAPACITY : [5000 lbf] 22240 N
2. WEIGHT : [8.2 lb] 3,72 kg
3. PLUNGER TRAVEL : [1.50] 38,1
4. PLUNGER THREAD : M16
5. DIMENSIONS AND TOLERANCES SUBJECT TO CHANGE WITHOUT PRIOR NOTICE

COMPONENT	Straight Line Action Clamps	
DIMENSIONS : [IN] MM	695-1MBPLS	REV
TOLERANCES : ±[0.020] 0.51	695-SERIES	02/18/19
		SHEET
		1 of 1



15 Corporate Drive,
Auburn Hills, MI 48326, USA
Phone: 888-337-8226, Fax: 800-682-9689
www.destaco.com

This Drawing is the Property of DESTACO.
It contains confidential, proprietary
information that is DESTACO property. Do
not disclose to or duplicate for others
except as authorized by DESTACO.