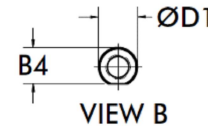
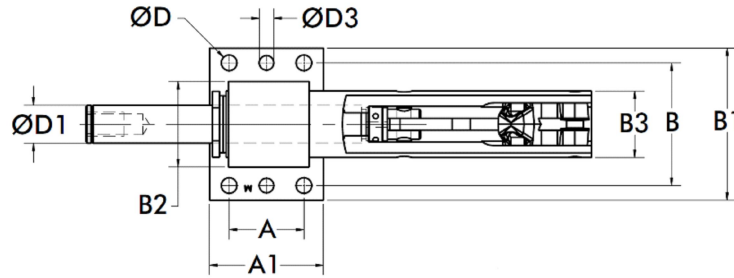
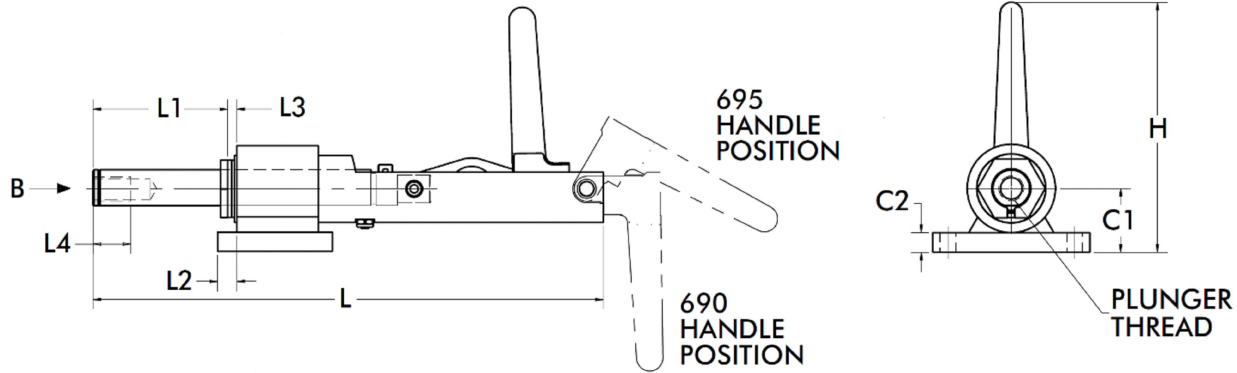
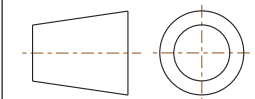


CLOSED POSITION



A	[1.97] 50	D1	[1.00] 25,4
A1	[3.00] 76,2	D2H7	N/A
B	[3.23] 82	D3	[0.39] 9,8
B1	[4.00] 101,6	H	[6.37] 162
B2	[2.25] 57,2	L	[13.31] 338
B3	[1.75] 44,4	L1	[3.69] 93,7
B4	[0.93] 23,7	L2	[0.50] 12,7
C1	[1.63] 41,3	L3	[0-0.31] 0-8
C2	[0.50] 12,7	L4	[0.98] 25
D	[0.41] 10,5	L5	N/A



**NOTES :**

1. MAX. HOLDING CAPACITY : [5000 lbf] 22240 N
2. WEIGHT : [8.2 lb] 3,72 kg
3. PLUNGER TRAVEL : [3.00] 76,2
4. PLUNGER THREAD : M16
5. DIMENSIONS AND TOLERANCES SUBJECT TO CHANGE WITHOUT PRIOR NOTICE

COMPONENT	Straight Line Action Clamps	
DIMENSIONS : [IN] MM	<b>690-1MBPLS</b>	REV
TOLERANCES : ±[0.020] 0.51		02/15/19
	<b>690-SERIES</b>	SHEET
		1 of 1



15 Corporate Drive,  
Auburn Hills, MI 48326, USA  
Phone: 888-337-8226, Fax: 800-682-9689  
www.destaco.com

This Drawing is the Property of DESTACO.  
It contains confidential, proprietary  
information that is DESTACO property. Do  
not disclose to or duplicate for others  
except as authorized by DESTACO.