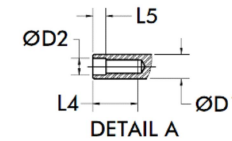
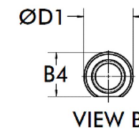
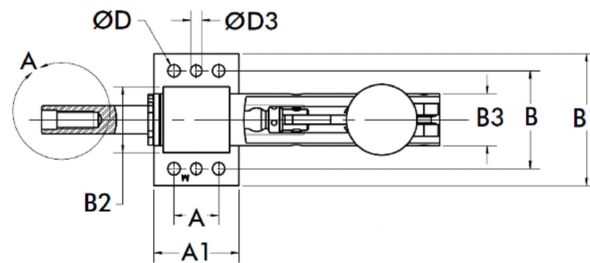
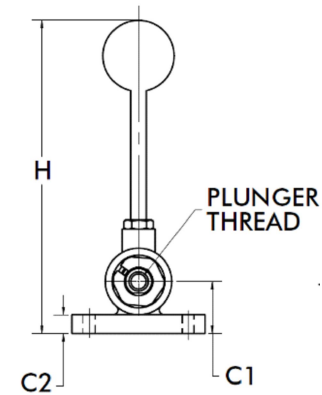
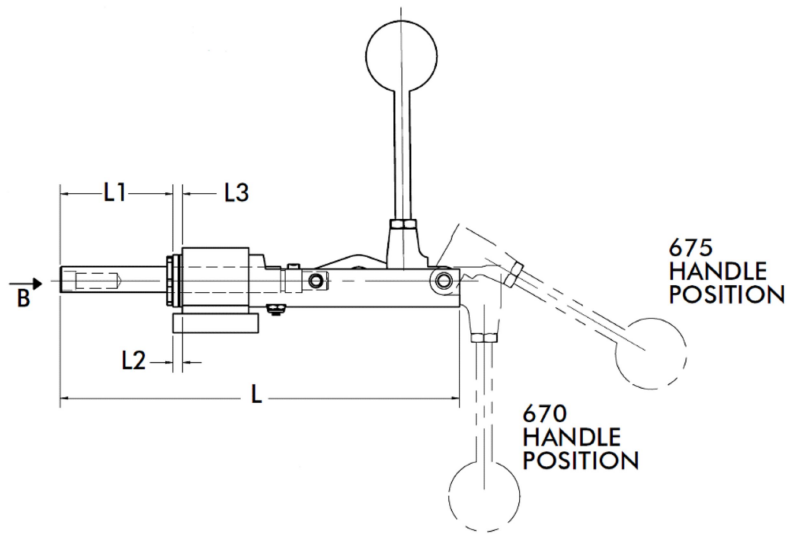
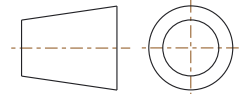


CLOSED POSITION



A	[1.18] 30	D1	[0.75] 19
A1	[2.24] 57	D2H7	[0.51] 13
B	[2.60] 66	D3	[0.31] 7,8
B1	[3.50] 89	H	[8.11] 206
B2	[1.75] 44,5	L	[7.68] 195
B3	[1.38] 35	L1	[1.74] 44,4
B4	[0.68] 17,3	L2	[0.25] 6,4
C1	[1.37] 34,8	L3	[0-0.31] 0-8
C2	[0.50] 12,7	L4	[1.38] 35
D	[0.33] 8,4	L5	[0.41] 10,3



**NOTES :**

1. MAX. HOLDING CAPACITY : [2400 lbf] 10680 N
2. WEIGHT : [4.0lb] 1,81 kg
3. PLUNGER TRAVEL : [1.10] 28
4. PLUNGER THREAD : M12
5. DIMENSIONS AND TOLERANCES SUBJECT TO CHANGE WITHOUT PRIOR NOTICE



691 N. Squirrel Road, Suite 250  
Auburn Hills, MI 48326, USA  
Phone: 888-337-8226, Fax: 800-682-9689  
www.destaco.com

This Drawing is the Property of DESTACO.  
It contains confidential, proprietary  
information that is DESTACO property. Do  
not disclose to or duplicate for others  
except as authorized by DESTACO.

<b>COMPONENT</b>	Straight Line Action Clamps	
DIMENSIONS : [IN] MM	<b>675-1MBPLS</b>	<b>REV</b>
TOLERANCES : ±[0.020] 0.51		02/15/19
	<b>675-SERIES</b>	<b>SHEET</b>
		1 of 1