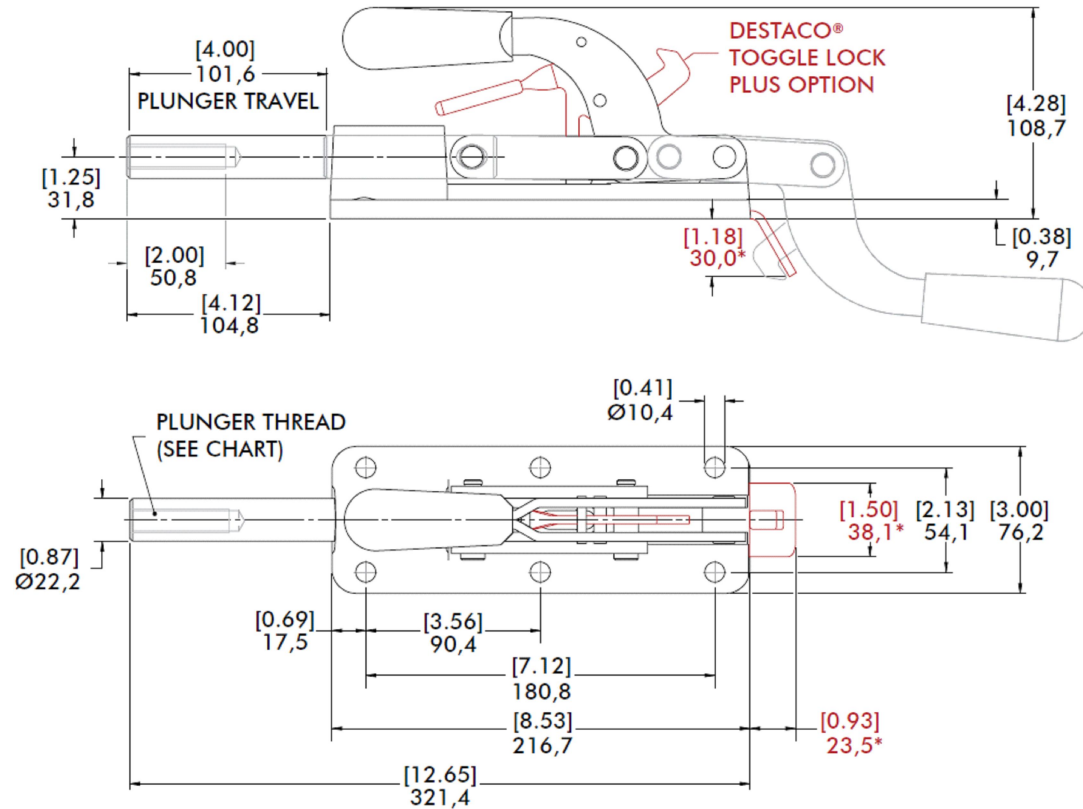


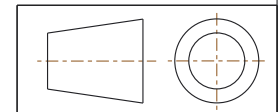
CLOSED POSITION




(\* ) Dimensions above in **RED** applies to the **640-R/640-MR** only

**NOTES :**

1. MAX. HOLDING CAPACITY : [7,500 lbf] 33400 N
2. WEIGHT : [6.78 lb] 3,08 kg
3. PLUNGER TRAVEL : [4.00] 101,6
4. PLUNGER THREAD (M) : 1/2-13
5. REFER CATALOG PAGE FOR MORE DETAILS
6. DIMENSIONS AND TOLERANCES SUBJECT TO CHANGE WITHOUT PRIOR NOTICE



|   |   | Straight Line Action Clamps |                   |
|---|---|-----------------------------|-------------------|
|   |   | COMPONENT                   | REV               |
|  <p>15 Corporate Drive,<br/>Auburn Hills, MI 48326, USA<br/>Phone: 888-337-8226, Fax: 800-682-9689<br/>www.destaco.com</p> | <p>This Drawing is the Property of DESTACO.<br/>It contains confidential, proprietary<br/>information that is DESTACO property. Do<br/>not disclose to or duplicate for others<br/>except as authorized by DESTACO.</p> | DIMENSIONS : [IN] MM        | <b>640</b>        |
|   |   | TOLERANCES : ±[0.020] 0.51  | <b>640-SERIES</b> |
|   |   |                             | 09/04/19          |
|   |   |                             | <b>SHEET</b>      |
|   |   |                             | 1 of 1            |