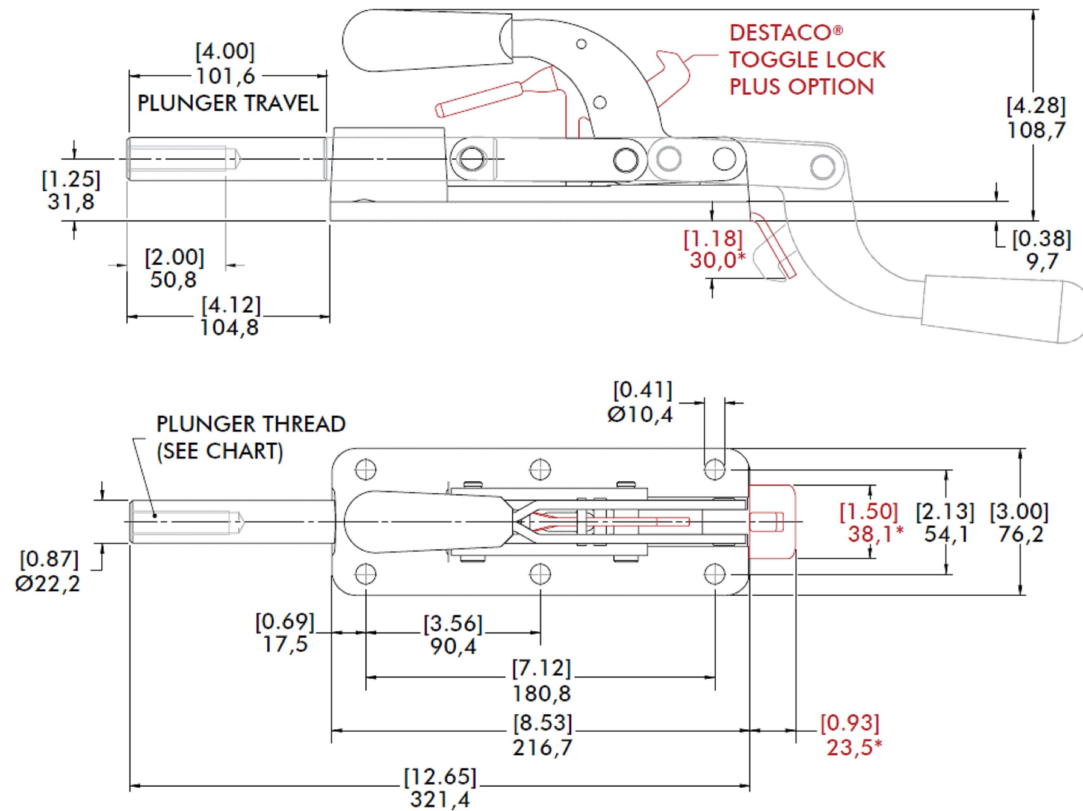


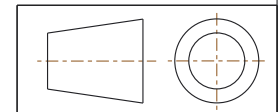
CLOSED POSITION




(*) Dimensions above in **RED** applies to the **640-R/640-MR** only

NOTES :

1. MAX. HOLDING CAPACITY : [7,500 lbf] 33400 N
2. WEIGHT : [6.78 lb] 3,08 kg
3. PLUNGER TRAVEL : [4.00] 101,6
4. PLUNGER THREAD (M) : M12
5. REFER CATALOG PAGE FOR MORE DETAILS
6. DIMENSIONS AND TOLERANCES SUBJECT TO CHANGE WITHOUT PRIOR NOTICE



 <p>15 Corporate Drive, Auburn Hills, MI 48326, USA Phone: 888-337-8226, Fax: 800-682-9689 www.destaco.com</p>	<p>This Drawing is the Property of DESTACO. It contains confidential, proprietary information that is DESTACO property. Do not disclose to or duplicate for others except as authorized by DESTACO.</p>	COMPONENT		Straight Line Action Clamps		
		DIMENSIONS : [IN] MM		640-MR		REV
		TOLERANCES : ±[0.020] 0.51		640-SERIES		09/04/19
						SHEET
				1 of 1		