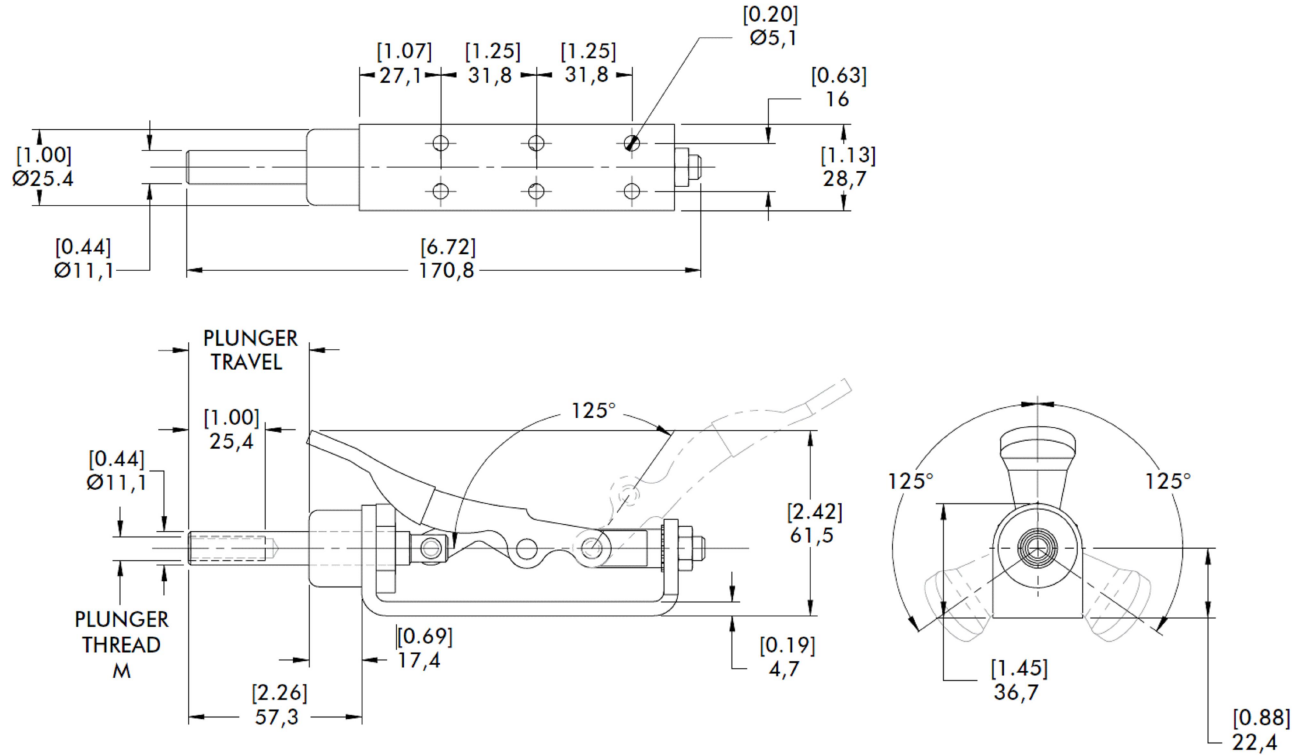


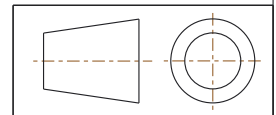


CLOSED POSITION



NOTES :

1. MAX. HOLDING CAPACITY : [450 lbf] 2000 N
2. WEIGHT : [0.81 lb] 0,37 kg
3. PLUNGER TRAVEL : [1.57] 40
4. PLUNGER THREAD (M) : M8
5. REFER CATALOG PAGE FOR MORE DETAILS
6. DIMENSIONS AND TOLERANCES SUBJECT TO CHANGE WITHOUT PRIOR NOTICE



15 Corporate Drive,
Auburn Hills, MI 48326, USA
Phone: 888-337-8226, Fax: 800-682-9689
www.destaco.com

This Drawing is the Property of DESTACO.
It contains confidential, proprietary information that is DESTACO property. Do not disclose to or duplicate for others except as authorized by DESTACO.

COMPONENT		Straight Line Action Clamps	
DIMENSIONS : [IN] MM	606-M	REV	06/04/19
TOLERANCES : ±[0.020] 0.51		SHEET	1 of 1
		606 SERIES	