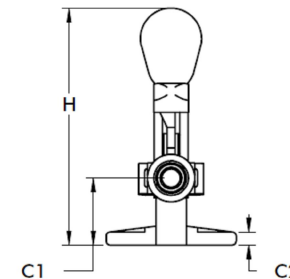
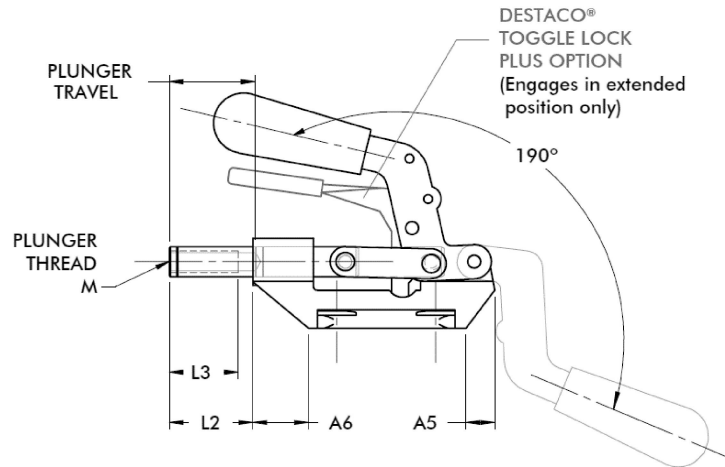
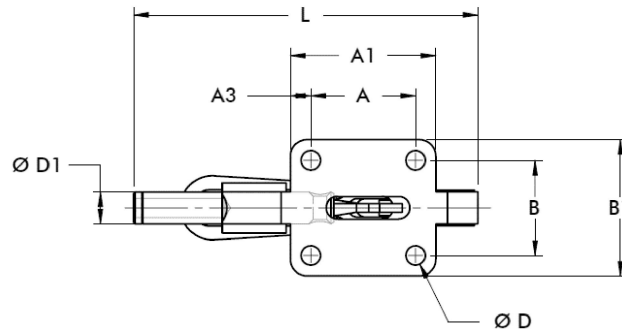
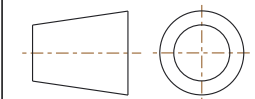


CLOSED POSITION



A	[1.44] 36,6	C2	[0.19] 4,8
A1	[2.20] 55,9	D	[0.27] 6,8
A3	[0.30] 7,5	D1	[0.44] 11,1
A5	[0.51] 13	H	[3.43] 87
A6	[0.82] 21	L	[4.77] 121,2
B	[1.31] 33,3	L2	[1.28] 32,5
B1	[1.88] 48	L3	[1.00] 25,4
C1	[0.97] 24,6	-	-



NOTES :

1. MAX. HOLDING CAPACITY : [600 lbf] 2670 N
2. WEIGHT : [0.83 lb] 0,38 kg
3. PLUNGER TRAVEL : [1.25] 31,8
4. PLUNGER THREAD (M) : M8
5. DIMENSIONS AND TOLERANCES SUBJECT TO CHANGE WITHOUT PRIOR NOTICE



15 Corporate Drive,
Auburn Hills, MI 48326, USA
Phone: 888-337-8226, Fax: 800-682-9689
www.destaco.com

This Drawing is the Property of DESTACO.
It contains confidential, proprietary
information that is DESTACO property. Do
not disclose to or duplicate for others
except as authorized by DESTACO.

COMPONENT

Straight Line Action Clamps

DIMENSIONS : [IN] MM

603-MR

REV

TOLERANCES : ±[0.020] 0.51

603-SERIES

03/16/19

SHEET

1 of 1