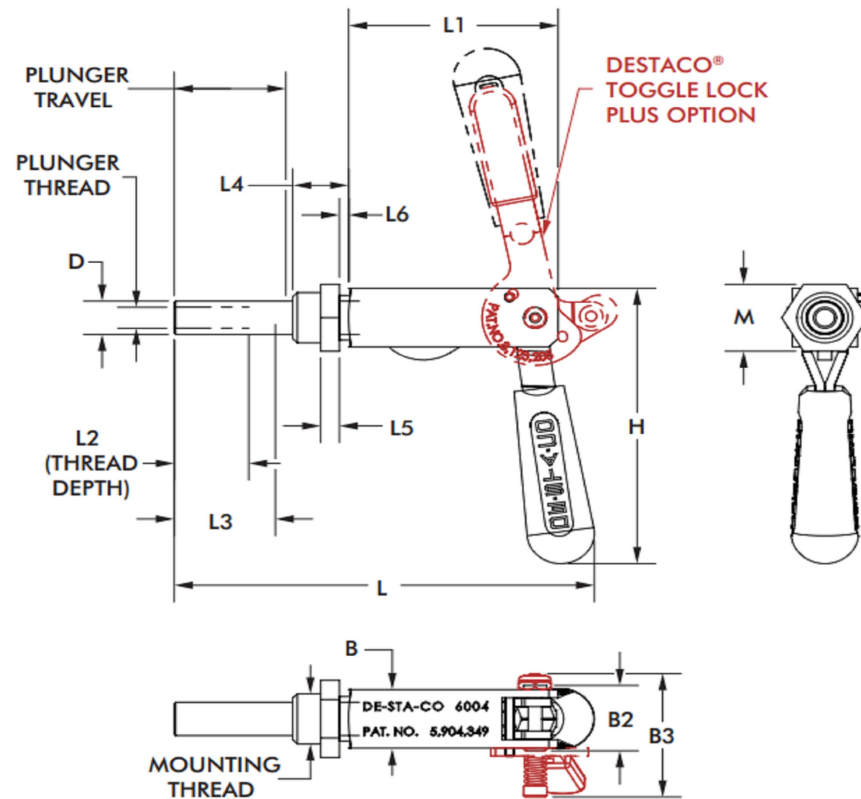
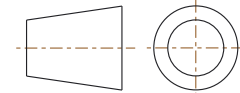


CLOSED POSITION



B	[1.63] 41.3
B2	[2.37] 60.3
B3	N/A
H	[5.67] 144.0
L	[8.37] 212.6
L1	[4.63] 117.5
L2	[1.50] 38.0
L3	N/A
L4	[1.06] 26.9
L5	[0.25] 6.4
L6	[0.11] 2.9
D	[0.63] 16.0
M	[1.50] 38.1
Plunger Thread	M10
Mounting Thread	M27X2



NOTES :

1. MAX. HOLDING CAPACITY : [450 lbf] 2000 N
2. WEIGHT : [0.81 lb] 0,37 kg
3. PLUNGER TRAVEL : [1.50] 38
4. PLUNGER THREAD (M) : 5/16-18
5. DIMENSIONS AND TOLERANCES SUBJECT TO CHANGE WITHOUT PRIOR NOTICE

COMPONENT	Straight Line Action Clamps	
DIMENSIONS : [IN] MM	6024-MMSS	REV
TOLERANCES : \pm [0.020] 0.51		03/15/19
	6024-SERIES	SHEET
		1 of 1



691 N. Squirrel Road, Suite 250
Auburn Hills, MI 48326, USA
Phone: 888-337-8226, Fax: 800-682-9689
www.destaco.com

This Drawing is the Property of DESTACO.
It contains confidential, proprietary
information that is DESTACO property. Do
not disclose to or duplicate for others
except as authorized by DESTACO.