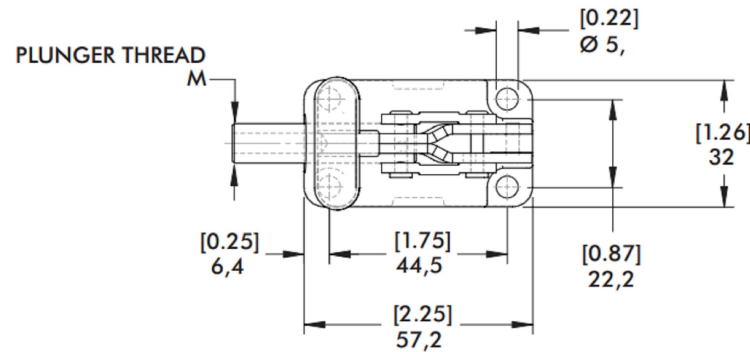
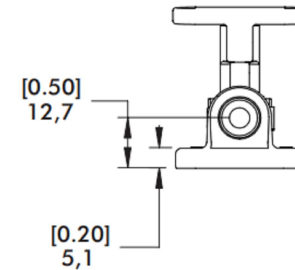
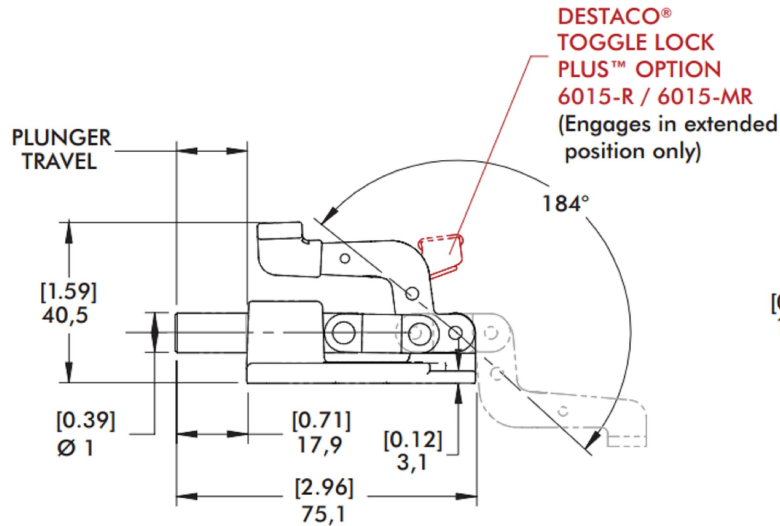
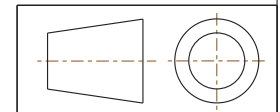


CLOSED POSITION



NOTES :

1. MAX. HOLDING CAPACITY : [560 lbf] 2500 N
2. WEIGHT : [0.35 lb] 0,15 kg
3. PLUNGER TRAVEL : [0.70] 17,8
4. PLUNGER THREAD (M) : 1/4-20
5. REFER CATALOG PAGE FOR MORE DETAILS
6. DIMENSIONS AND TOLERANCES SUBJECT TO CHANGE WITHOUT PRIOR NOTICE



COMPONENT	Straight Line Action Clamps	
DIMENSIONS : [IN] MM	6015-R	REV
TOLERANCES : ±[0.020] 0.51		05/04/19
	6015-SERIES	SHEET
		1 of 1



DESTACO
A STABILUS COMPANY
 15 Corporate Drive,
 Auburn Hills, MI 48326, USA
 Phone: 888-337-8226, Fax: 800-682-9689
 www.destaco.com

This Drawing is the Property of DESTACO.
 It contains confidential, proprietary
 information that is DESTACO property. Do
 not disclose to or duplicate for others
 except as authorized by DESTACO.