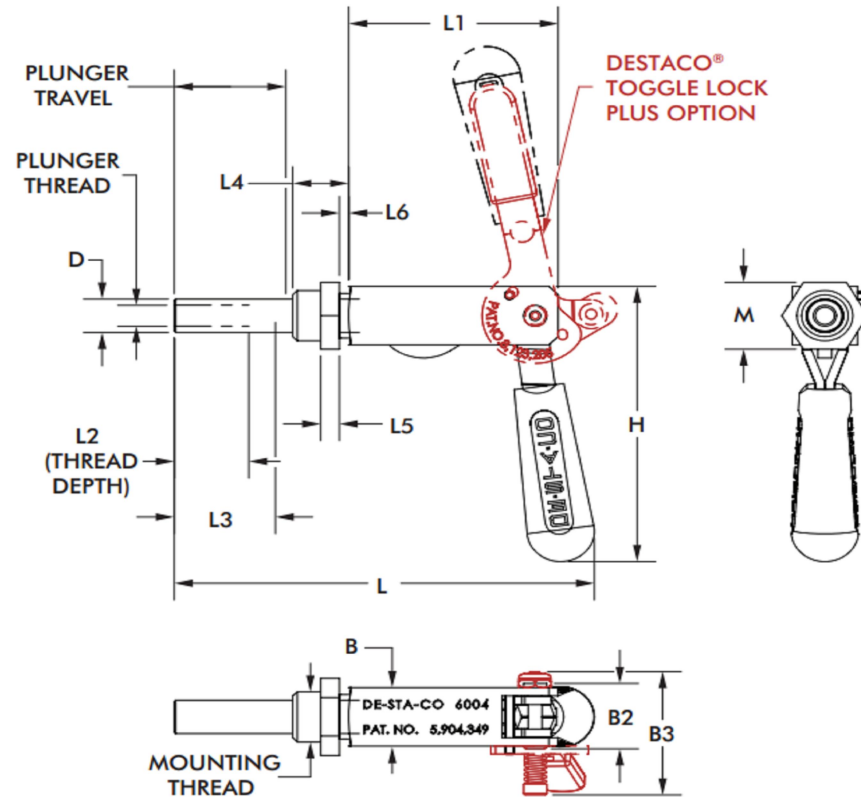
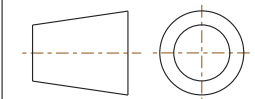


CLOSED POSITION



B	[0.75] 19.1
B2	N/A
B3	[1.84] 46.8
H	[4.52] 114.7
L	[5.69] 144.5
L1	[2.81] 71.4
L2	[1] 25.4
L3	[1.35] 34.4
L4	[0.75] 19.1
L5	[0.25] 6.4
L6	[0.13] 3.2
D	[0.50] 12.7
M	[1.00] 25.4
Plunger Thread	M8
Mounting Thread	M20X1.5



NOTES :

1. MAX. HOLDING CAPACITY : [450 lbf] 2000 N
2. WEIGHT : [0.89 lb] 0,40 kg
3. PLUNGER TRAVEL : [1,50] 38
4. PLUNGER THREAD (M) : M8
5. DIMENSIONS AND TOLERANCES SUBJECT TO CHANGE WITHOUT PRIOR NOTICE

COMPONENT	Straight Line Action Clamps	
DIMENSIONS : [IN] MM	6004-MMR	REV
TOLERANCES : \pm [0.020] 0.51	6004-SERIES	03/15/19
		SHEET
		1 of 1



691 N. Squirrel Road, Suite 250
Auburn Hills, MI 48326, USA
Phone: 888-337-8226, Fax: 800-682-9689
www.destaco.com

This Drawing is the Property of DESTACO.
It contains confidential, proprietary information that is DESTACO property. Do not disclose to or duplicate for others except as authorized by DESTACO.