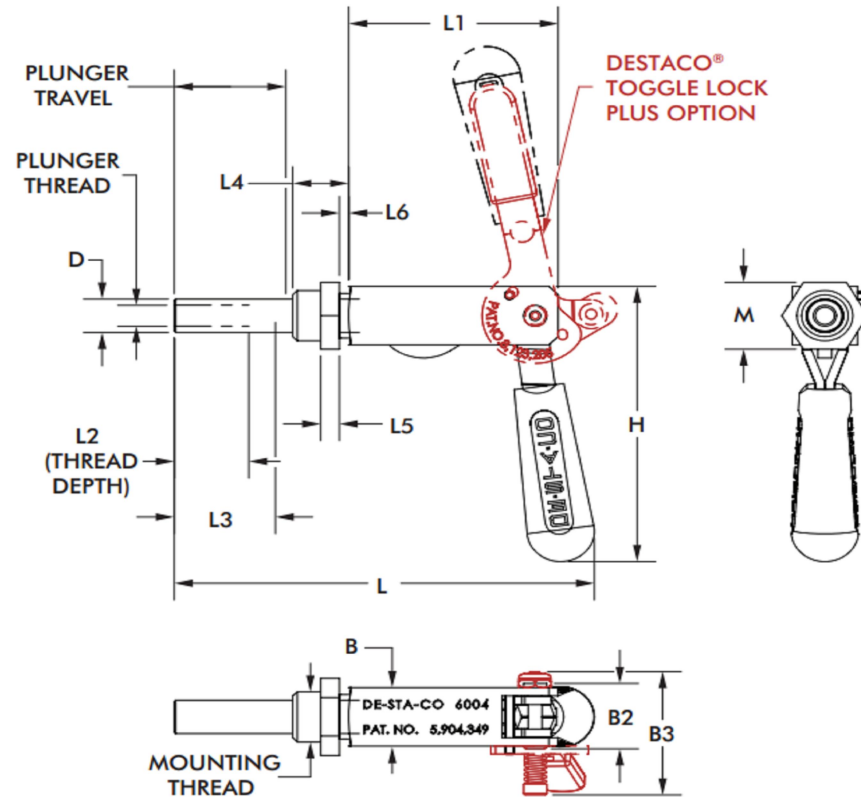
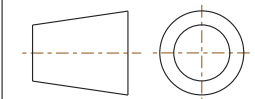


CLOSED POSITION



B	[0.89] 22.5
B2	[0.98] 25.0
B3	N/A
H	[3.11] 79.1
L	[3.37] 85.6
L1	[1.93] 49.0
L2	[0.79] 20.0
L3	N/A
L4	[0.63] 15.9
L5	[0.25] 6.4
L6	[0.12] 3.0
D	[0.39] 10
M	[0.87] 22.2
Plunger Thread	1/4-20
Mounting Thread	5/8-18



NOTES :

1. MAX. HOLDING CAPACITY : [450 lbf] 2000 N
2. WEIGHT : [0.81 lb] 0,37 kg
3. PLUNGER TRAVEL : [1.50] 38
4. PLUNGER THREAD (M) : 5/16-18
5. DIMENSIONS AND TOLERANCES SUBJECT TO CHANGE WITHOUT PRIOR NOTICE



691 N. Squirrel Road, Suite 250
Auburn Hills, MI 48326, USA
Phone: 888-337-8226, Fax: 800-682-9689
www.destaco.com

This Drawing is the Property of DESTACO.
It contains confidential, proprietary
information that is DESTACO property. Do
not disclose to or duplicate for others
except as authorized by DESTACO.

COMPONENT

Straight Line Action Clamps

DIMENSIONS : [IN] MM

6002-SS

REV

TOLERANCES : ±[0.020] 0.51

6002-SERIES

03/15/19

SHEET

1 of 1