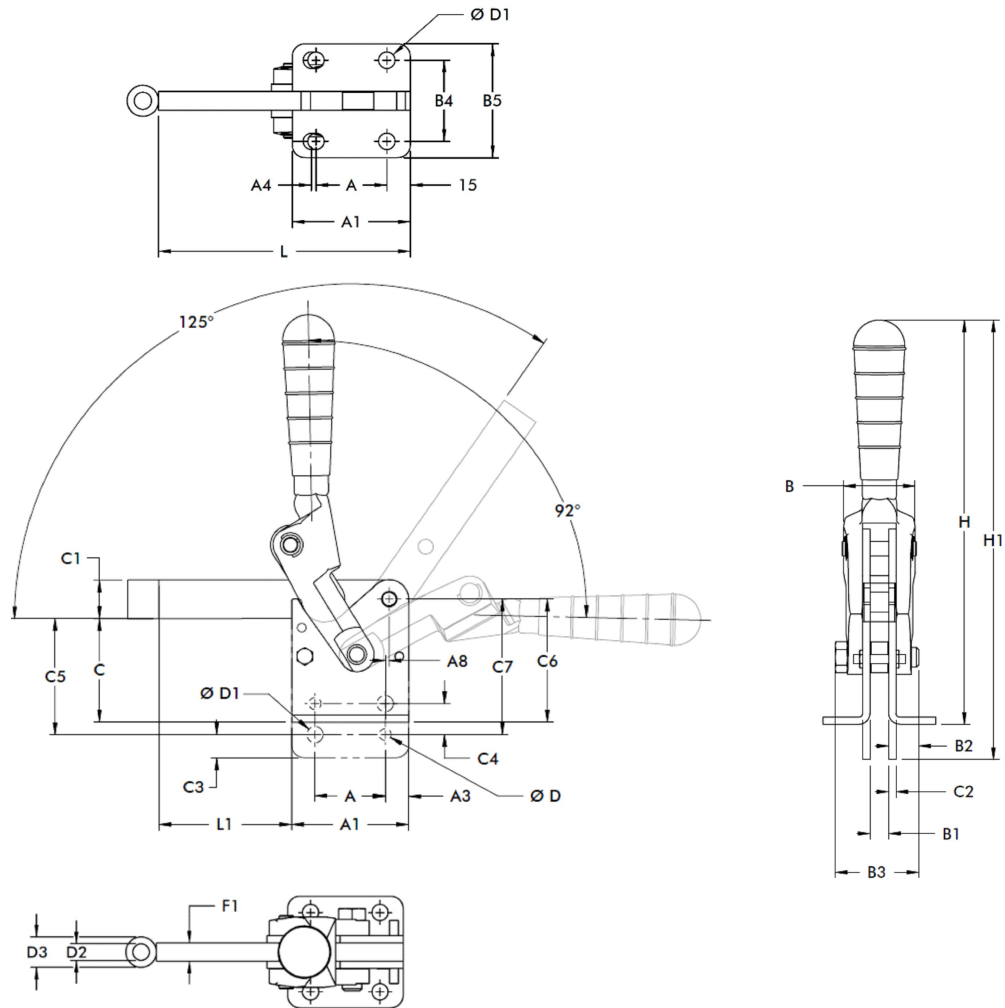


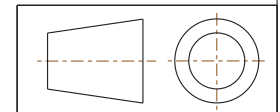


CLOSED POSITION



NOTES :

1. MAX. HOLDING CAPACITY : 10000 N [2250 lbf]
2. CLAMP BAR OPENING (+ 10°) : 120°
3. HANDLE OPENING (+ 10°) : 90°
4. WEIGHT : 1,85 kg [4.087 lbs]
5. DIMENSIONS AND TOLERANCES SUBJECT TO CHANGE WITHOUT PRIOR NOTICE



15 Corporate Drive,
Auburn Hills, MI 48326, USA
Phone: 888-337-8226, Fax: 800-682-9689
www.destaco.com

This Drawing is the Property of DESTACO.
It contains confidential, proprietary information that is DESTACO property. Do not disclose to or duplicate for others except as authorized by DESTACO.

COMPONENT	Heavy-Duty Vertical Hold Down Clamps	
DIMENSIONS : [IN] MM	533-LBR	REV
TOLERANCES : ±[0.020] 0.51		01/28/19
	535-SERIES	SHEET
		1 of 1