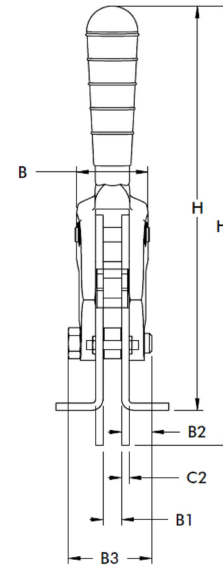
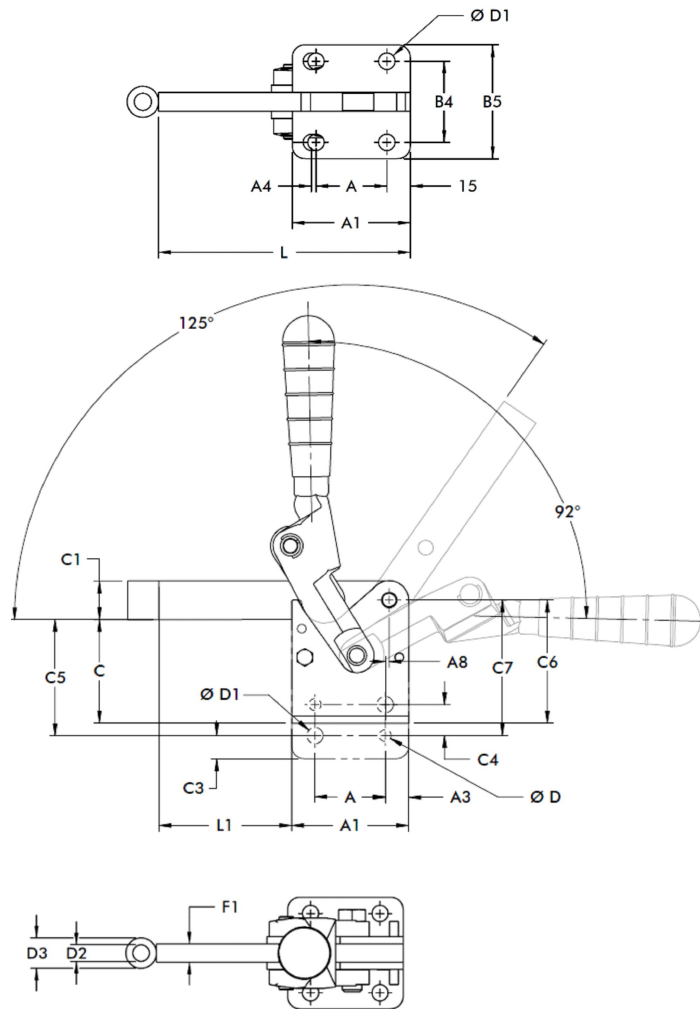
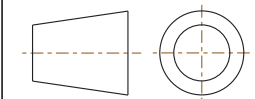




CLOSED POSITION



A	[1.18] 30	C3	[0.39] 9.9
A1	[2.36] 59.9	C4	[0.59] 15
A3	[0.59] 15	C5	[1.86] 55.1
A4	N/A	C6	N/A
A8	[0.20] 5.1	C7	[2.56] 65
B	[1.52] 38.6	D	[0.22] 5.6
B1	[0.39] 9.9	D1	[0.33] 8.4
B2	[0.69] 15.5	D2	[0.35] 8.9
B3	[1.75] 44.5	D3	[0.59] 15
B4	N/A	F1	[0.39] 9.9
B5	N/A	H	N/A
C	N/A	H1	[9.31] 236.5
C1	[0.79] 20.1	L	[4.92] 125
C2	[0.19] 4.8	L1	[2.56] 65



NOTES :

1. MAX. HOLDING CAPACITY : 7000 N [1575 lbf]
2. CLAMP BAR OPENING (+ 10°) : 120°
3. HANDLE OPENING (+ 10°) : 90°
4. WEIGHT : 1,00 kg [2.20 lbs]
5. DIMENSIONS AND TOLERANCES SUBJECT TO CHANGE WITHOUT PRIOR NOTICE



15 Corporate Drive,
Auburn Hills, MI 48326, USA
Phone: 888-337-8226, Fax: 800-682-9689
www.destaco.com

This Drawing is the Property of DESTACO.
It contains confidential, proprietary
information that is DESTACO property. Do
not disclose to or duplicate for others
except as authorized by DESTACO.

COMPONENT

Heavy-Duty Vertical Hold Down Clamps

DIMENSIONS : [IN] MM

533-LB

REV

01/28/19

TOLERANCES : ±[0.020] 0.51

533-SERIES

SHEET

1 of 1