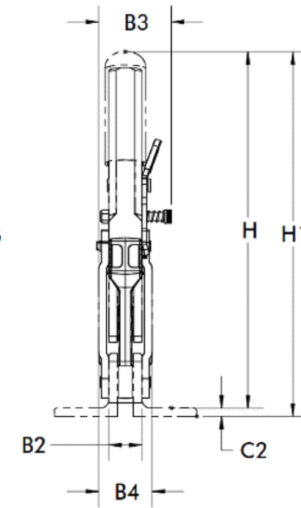
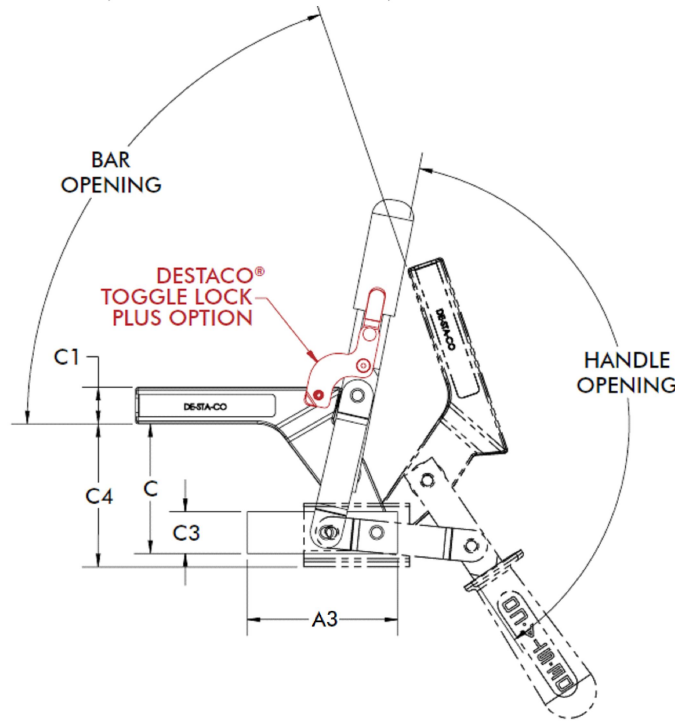
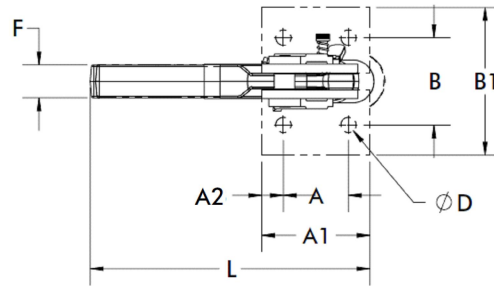
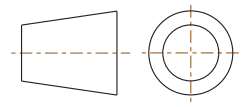


CLOSED POSITION



A	N/A	C1	[0.87] 22,0
A1	N/A	C2	N/A
A2	N/A	C3	[0.98] 25,0
A3	[3.54] 90	C4	N/A
B	N/A	D	N/A
B1	N/A	F	[0.75] 19,1
B2	[0.79] 20	H	[8.39] 213,0
B3	N/A	H1	N/A
B4	[1.26] 32	L	N/A
C	[3.05] 77,5	-	-



NOTES :

1. MAX. HOLDING CAPACITY : 5100 N [1150 lbf]
2. CLAMP BAR OPENING (+ 10°) : 74°
3. HANDLE OPENING (+ 10°) : 138°
4. WEIGHT : 1,34 kg [2.95 lbs]
5. DIMENSIONS AND TOLERANCES SUBJECT TO CHANGE WITHOUT PRIOR NOTICE

COMPONENT	Heavy-Duty Vertical Hold Down Clamps	
DIMENSIONS : [IN] MM	5110-B	REV
TOLERANCES : ±[0.020] 0.51	5110 SERIES	01/29/19
		SHEET
		1 of 1



15 Corporate Drive,
Auburn Hills, MI 48326, USA
Phone: 888-337-8226, Fax: 800-682-9689
www.destaco.com

This Drawing is the Property of DESTACO.
It contains confidential, proprietary
information that is DESTACO property. Do
not disclose to or duplicate for others
except as authorized by DESTACO.