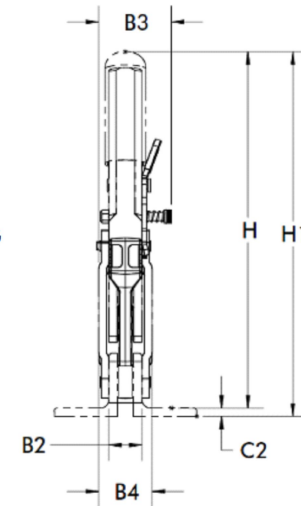
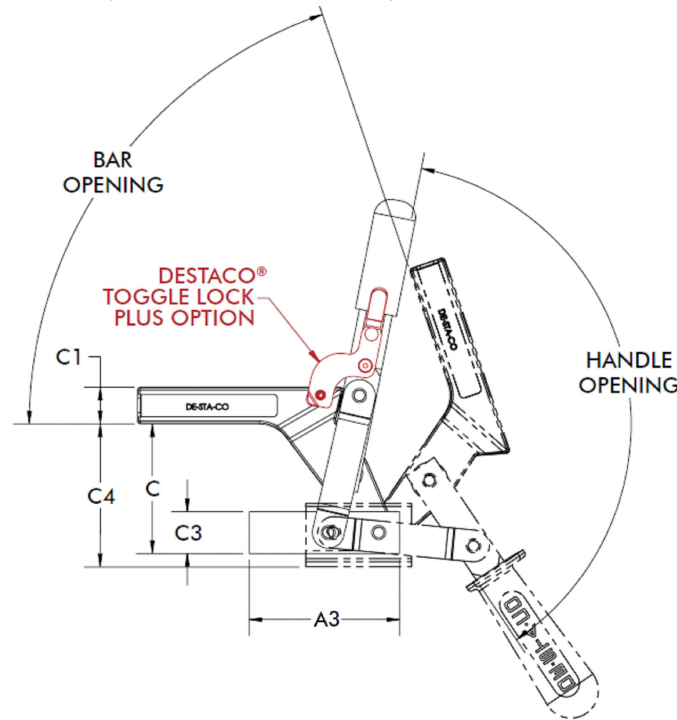
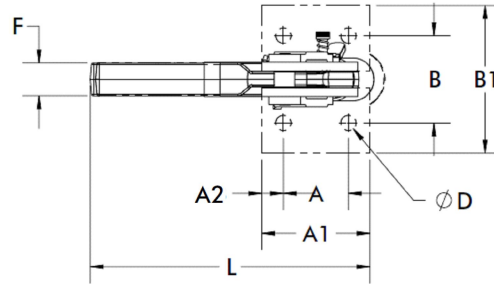
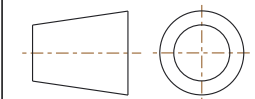




CLOSED POSITION



A	N/A	C1	[0.51] 13,0
A1	N/A	C2	N/A
A2	N/A	C3	[0.59] 15,0
A3	[2.50] 63,5	C4	N/A
B	N/A	D	N/A
B1	N/A	F	[0.56] 14,3
B2	[0.59] 15	H	[6.14] 156,0
B3	[1.48] 37,5	H1	N/A
B4	[0.98] 25	L	N/A
C	[2.14] 54,3	-	-



NOTES :

1. MAX. HOLDING CAPACITY : 3100 N [700 lbf]
2. CLAMP BAR OPENING (+ 10°) : 89°
3. HANDLE OPENING (+ 10°) : 159°
4. WEIGHT : 0,53 kg [1.17 lbs]
5. DIMENSIONS AND TOLERANCES SUBJECT TO CHANGE WITHOUT PRIOR NOTICE

COMPONENT

Heavy-Duty Vertical Hold Down Clamps

DIMENSIONS : [IN] MM

5105-BR

REV

01/29/19

TOLERANCES : ±[0.020] 0.51

5105 SERIES

SHEET

1 of 1



15 Corporate Drive,
Auburn Hills, MI 48326, USA
Phone: 888-337-8226, Fax: 800-682-9689
www.destaco.com

This Drawing is the Property of DESTACO.
It contains confidential, proprietary
information that is DESTACO property. Do
not disclose to or duplicate for others
except as authorized by DESTACO.