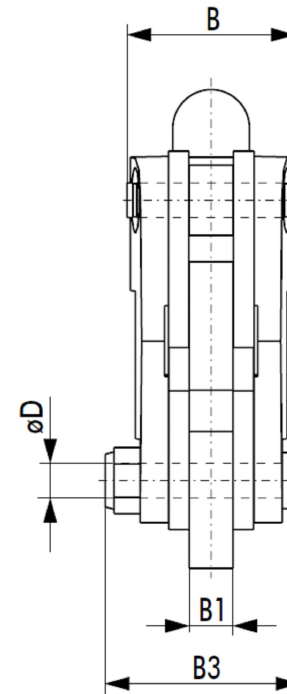
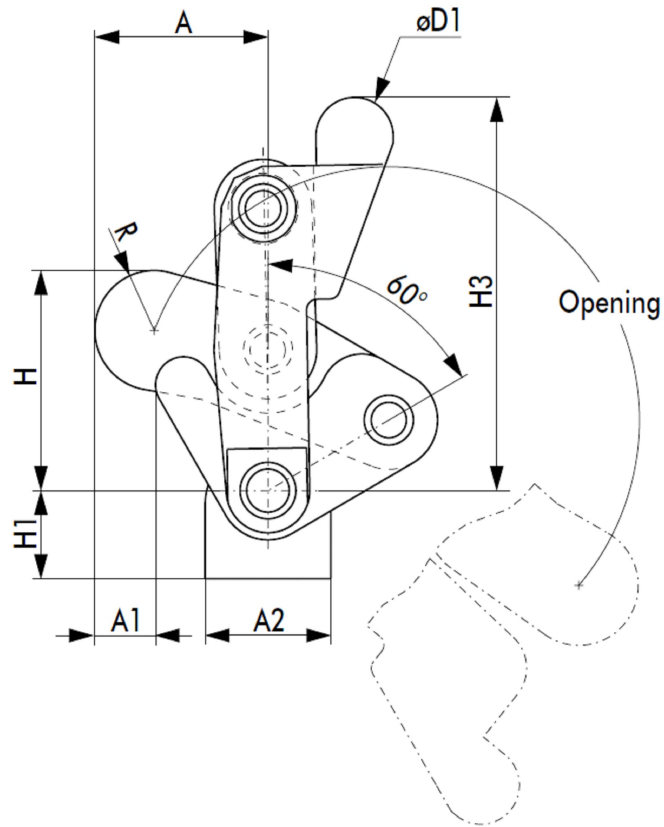
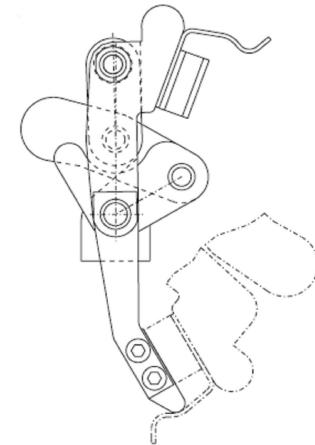


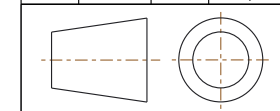
CLOSED POSITION



LSC-VERSION



<b>A</b>	[1.54] 39,2	<b>B3</b>	[1.82] 46,2
<b>A1</b>	[0.50] 12,8	<b>ØD</b>	[0.31] 8
<b>A2</b>	[1.12] 28,5	<b>ØD1</b>	[0.69] 17,5
<b>A3</b>	N/A	<b>H</b>	[1.96] 49,8
<b>A4</b>	N/A	<b>H1</b>	[0.79] 20
<b>B</b>	[1.52] 38,5	<b>H2</b>	N/A
<b>B1</b>	[0.39] 10	<b>H3</b>	[3.51] 89,1
<b>B2</b>	N/A	<b>R</b>	[0.53] 13,5



**NOTES :**

1. MAX. HOLDING CAPACITY : 7000 N [1575 lbf]
2. CLAMP BAR OPENING (+ 10°) : 200°
3. WEIGHT : 0,80 Kg [1.76 lbs]
4. DIMENSIONS AND TOLERANCES SUBJECT TO CHANGE WITHOUT PRIOR NOTICE



15 Corporate Drive,  
Auburn Hills, MI 48326, USA  
Phone: 888-337-8226, Fax: 800-682-9689  
www.destaco.com

This Drawing is the Property of DESTACO.  
It contains confidential, proprietary  
information that is DESTACO property. Do  
not disclose to or duplicate for others  
except as authorized by DESTACO.

**COMPONENT**

Vertical Hold Down Clamps

DIMENSIONS : [IN] MM

**503-MBLSC**

**REV**

01/30/19

TOLERANCES : ±[0.020] 0.51

**500-SERIES**

**SHEET**

1 of 1