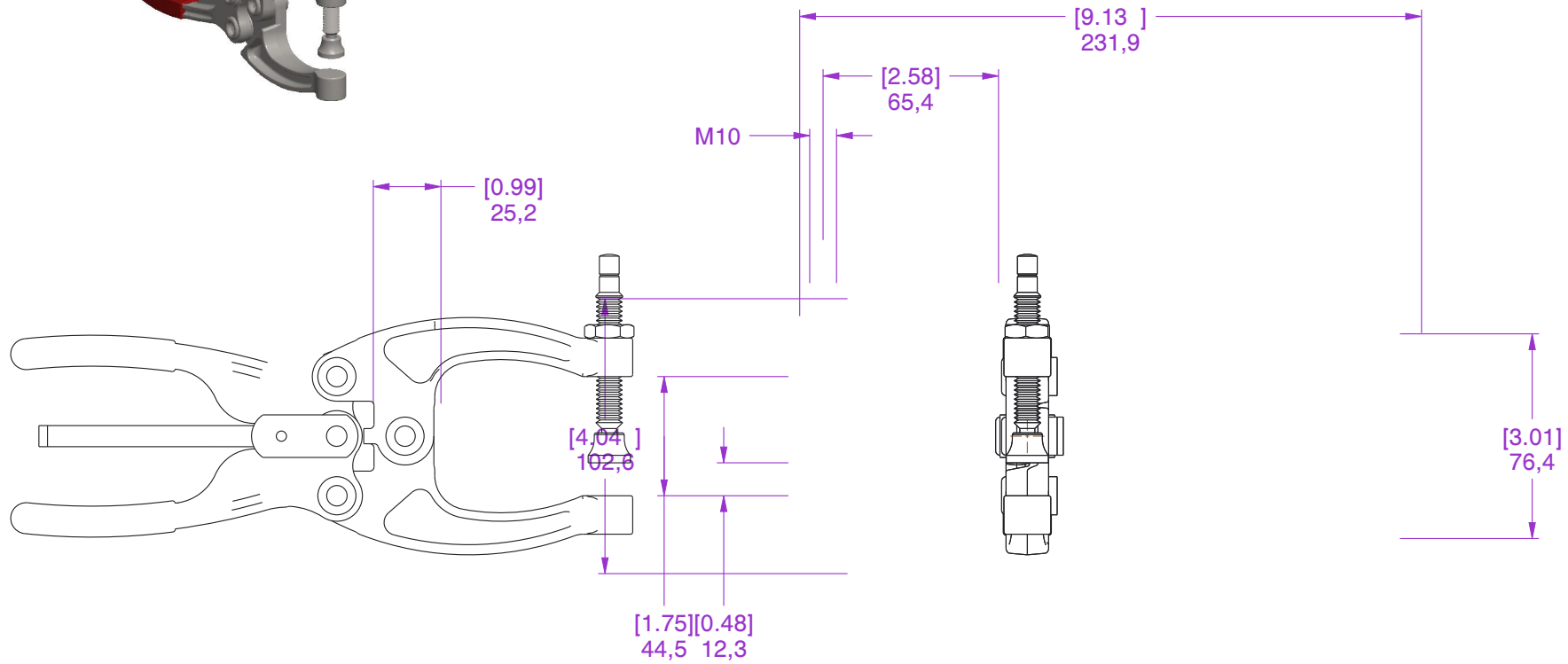
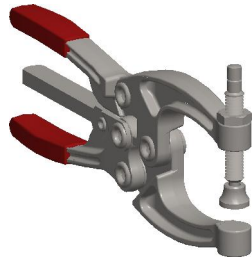


08/10/17



**NOTES:**

1. Material : Forged Alloy Steel
2. Max. Holding Capacity : 5340 N [1200 lbf]
3. Weight : 0,79 kg [1.75 lb]
4. Applications : Welding, Assembly
5. All Drawing Dimensions are in [Inches] mm



691 N. Squirrel Road, Suite 250  
 Auburn Hills, MI 48326, USA  
 Phone: 888-337-8226, Fax: 800-682-9689  
 www.destaco.com

This Drawing is the Property of DESTACO.  
 It contains confidential, proprietary  
 information that is DESTACO property. Do  
 not disclose to or duplicate for others  
 except as authorized by DESTACO.

DIMENSIONS : [IN] MM

TOLERANCES : ±[0.020] 0.54

COMPONENT		Squeeze Action Plier Clamps	
<b>482</b>  <b>462-SERIES</b>	REV		
	08/10/17		
	SHEET		
	1 of 1		