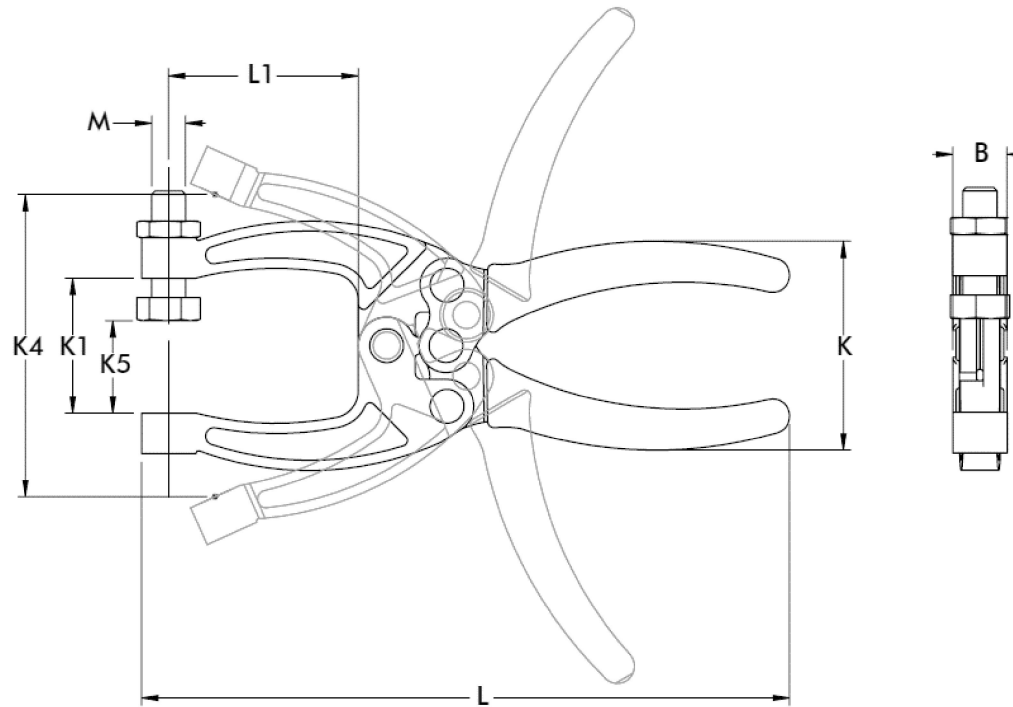




CLOSED POSITION



B	[0.50] 12.7	L	[6.03] 153.1
K	[2.07] 52.5	L1	[1.77] 44.9
K1	[1.25] 31.8	M	M8
K4	[2.80] 71.2	-	-

NOTES :

1. MAX. HOLDING CAPACITY : 1560 N [350 lbf]
2. WEIGHT : 0,29 kg [0.63 lb]
3. MAXIMUM CLAMPING THICKNESS (K5) : [1.03] 23,3
4. DIMENSIONS AND TOLERANCES SUBJECT TO CHANGE WITHOUT PRIOR NOTICE



15 Corporate Drive,
Auburn Hills, MI 48326, USA
Phone: 888-337-8226, Fax: 800-682-9689
www.destaco.com

This Drawing is the Property of DESTACO.
It contains confidential, proprietary
information that is DESTACO property. Do
not disclose to or duplicate for others
except as authorized by DESTACO.

COMPONENT	Squeeze Action Plier Clamps	
DIMENSIONS : [IN] MM	441 441-SERIES	REV
TOLERANCES : ±[0.020] 0.51		05/03/19
		SHEET
		1 of 1