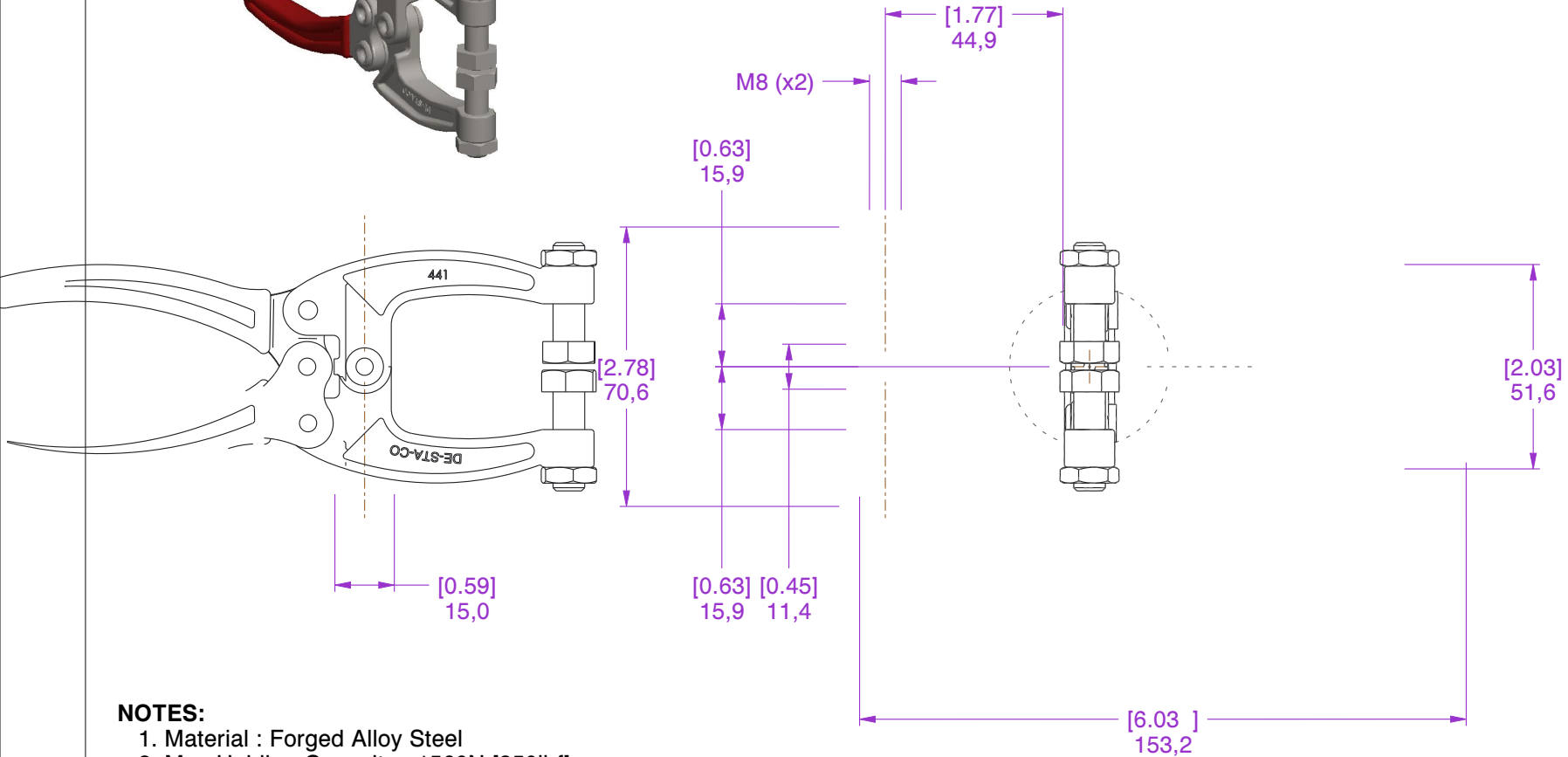
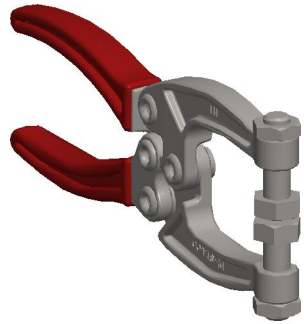


08/02/17



NOTES:

1. Material : Forged Alloy Steel
2. Max. Holding Capacity : 1560N [350lbf]
3. Weight : 0.29kg [0.63lb]
4. Applications : Welding, Assembly
5. All Drawing Dimensions are in [Inches] mm

COMPONENT	SQUEEZE ACTION PLIER CLAMPS
441-2 441-SERIES	REV
	08/02/17
	SHEET
	1 of 1



691 N. Squirrel Road, Suite 250
 Auburn Hills, MI 48326, USA
 Phone: 888-337-8226, Fax: 800-682-9689
 www.destaco.com

This Drawing is the Property of DESTACO.
 It contains confidential, proprietary
 information that is DESTACO property. Do
 not disclose to or duplicate for others
 except as authorized by DESTACO.

DIMENSIONS : [IN] MM
TOLERANCES : ±[0.020] 0.54