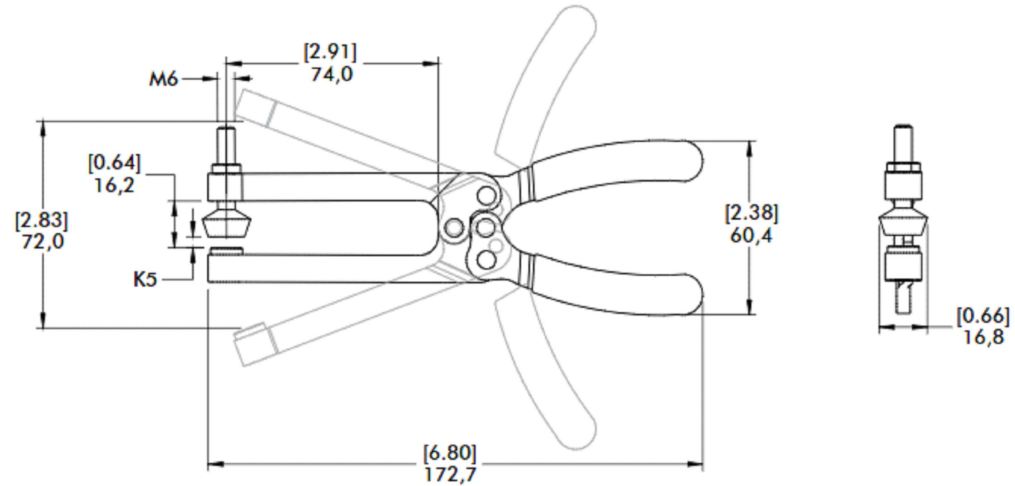
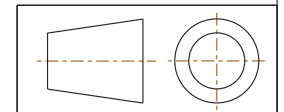



CLOSED POSITION



**NOTES :**

1. MAX. HOLDING CAPACITY : 400 N [100 lbf]
2. WEIGHT : 0,14 kg [0.31 lb]
3. MAX. CLAMPING THICKNESS (K5) : 6,8 [0.27]
4. DIMENSIONS AND TOLERANCES SUBJECT TO CHANGE WITHOUT PRIOR NOTICE



		COMPONENT	Squeeze Action Plier Clamps	
 <p>15 Corporate Drive, Auburn Hills, MI 48326, USA Phone: 888-337-8226, Fax: 800-682-9689 www.destaco.com</p>	<p>This Drawing is the Property of DESTACO. It contains confidential, proprietary information that is DESTACO property. Do not disclose to or duplicate for others except as authorized by DESTACO.</p>	DIMENSIONS : [IN] MM	<p><b>431</b></p> <p><b>431-SERIES</b></p>	REV
		TOLERANCES : ±[0.020] 0.51		08/03/17
				SHEET
				1 of 1