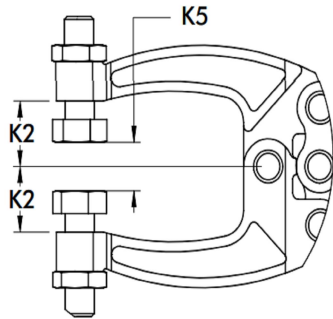
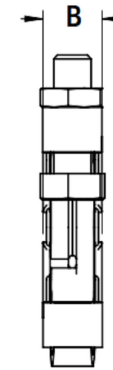
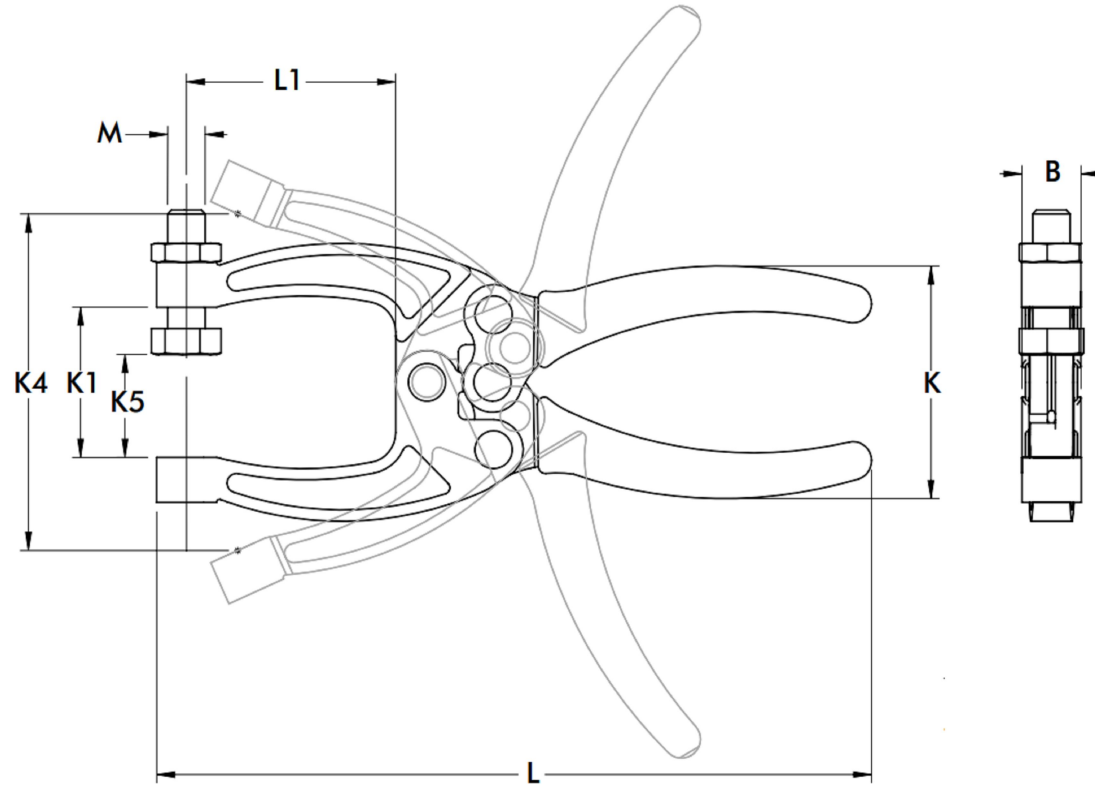


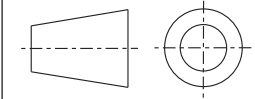
CLOSED POSITION



MODEL 424-2 & 441-2 AS SHOWN



B	[0.50] 12.8	K4	[2.06] 52.3
K	[1.91] 48.5	L	[4.63] 117.6
K1	[1.00] 25.4	L1	[1.08] 27.4
K2	[.50] 12.7	M	M6



NOTES:

1. Material : Forged Alloy Steel
2. Max. Holding Capacity : 900N [200 lbf]
3. Weight : 0.14kg [0.31lb]
4. Applications : Welding, Assembly
5. All Drawing Dimensions are in [Inches] mm



15 Corporate Drive,
Auburn Hills, MI 48326, USA
Phone: 888-337-8226, Fax: 800-682-9689
www.destaco.com

This Drawing is the Property of DESTACO.
It contains confidential, proprietary
information that is DESTACO property. Do
not disclose to or duplicate for others
except as authorized by DESTACO.

COMPONENT	SQUEEZE ACTION PLIER CLAMPS	
DIMENSIONS : [IN] MM	424-2	REV
TOLERANCES : ±[0.020] 0.51		07/31/17
	424-SERIES	SHEET
		1 of 1