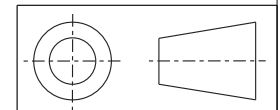
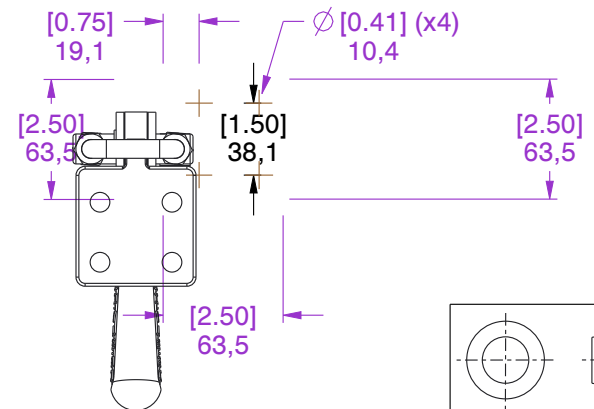
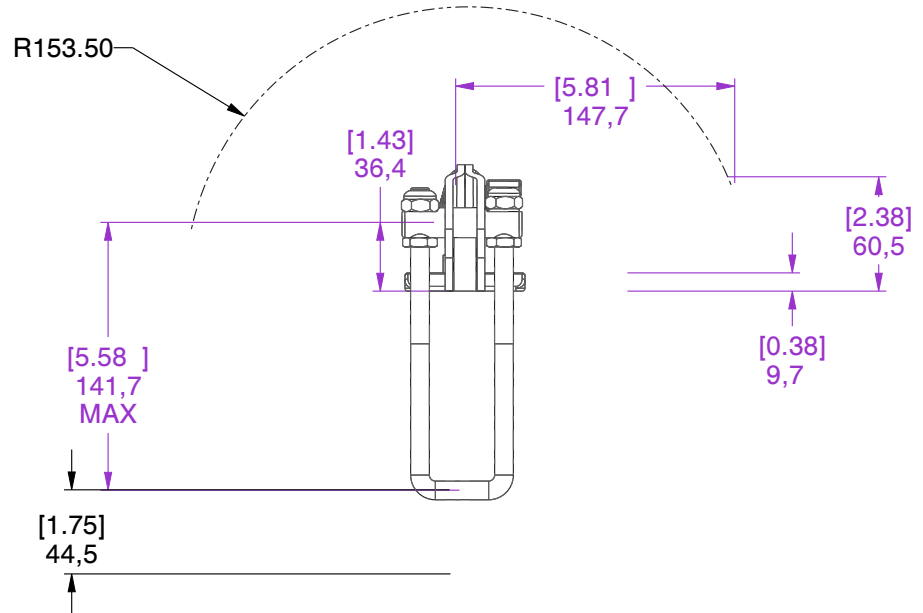
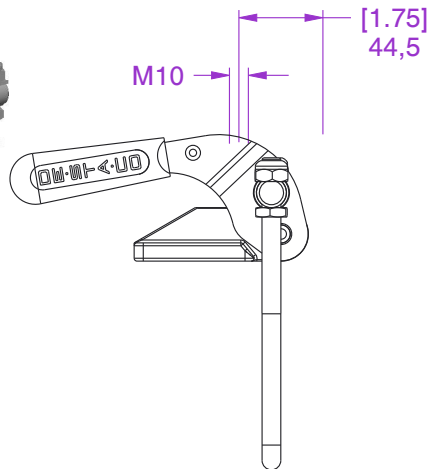


CLOSE POSITION



NOTES:

1. Material : Steel
2. Max. Holding Capacity : 17800 N [4000 lbf]
3. Weight : 0,95kg [2.10 lb]
4. Applications : Assembly, Molding, Closures for doors, lids, covers
5. All Drawing Dimensions are in [Inches] mm



15 Corporate Drive,
Auburn Hills, MI 48326, USA
Phone: 888-337-8226, Fax: 800-682-9689
www.destaco.com

This Drawing is the Property of DESTACO.
It contains confidential, proprietary
information that is DESTACO property. Do
not disclose to or duplicate for others
except as authorized by DESTACO.

COMPONENT	PULL ACTION LATCH CLAMPS	
DIMENSIONS : [IN] MM	374	REV
TOLERANCES : ±[0.020] 0.51	374-SERIES	08/09/17
		SHEET
		1 of 1