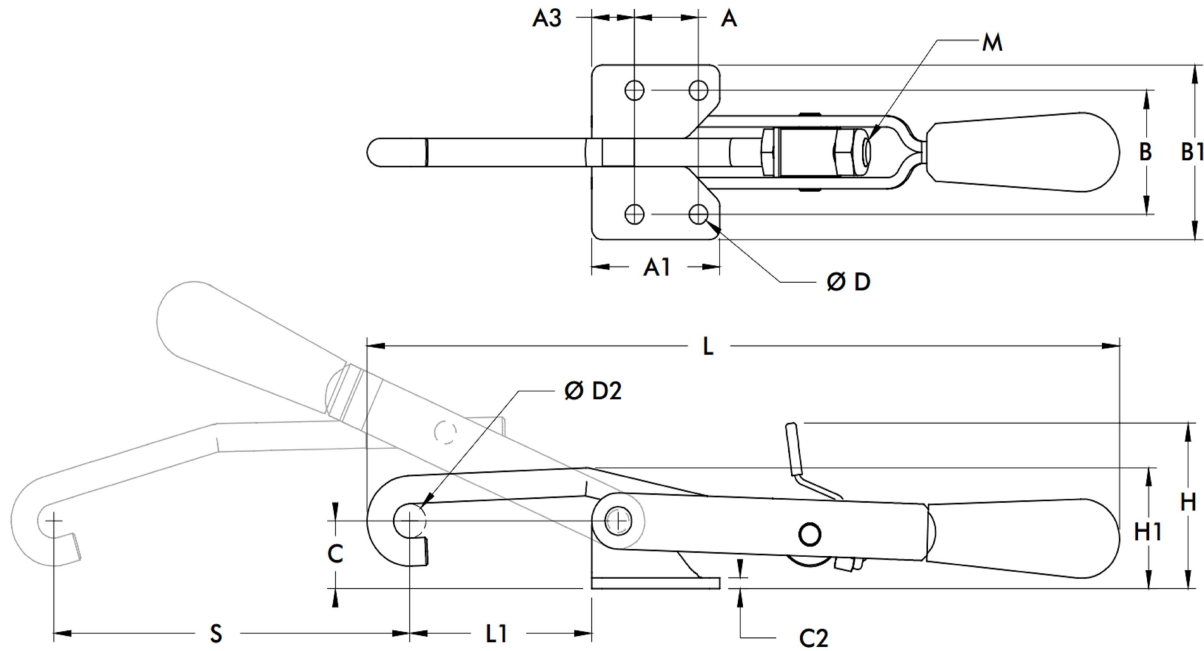
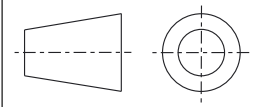


CLOSED POSITION



A	[1.25] 31,8	ØD2	[0.50] 12,7
A1	[1.94] 49,2	H	[2.58] 65,6
A3	[0.34] 8,7	H1	[2.23] 56,5
B	[1.94] 49,2	L	[11.89] 302
B1	[2.63] 66,7	L1 MAX	[2.81] 71,5
C	[1.42] 36,1	M	M10
C2	[0.16] 4	S	[5.38] 136,7
ØD	[0.34] 8,7	-	-



NOTES:

1. Material : Steel
2. Max. Holding Capacity : 3340N [750lbf]
3. Weight : [1.53 lb] 0.69 Kg
4. Applications : Molding, Assembly, Closures for doors, lids, covers
5. All Drawing Dimensions are in [Inches] mm

COMPONENT	Pull Action Latch Clamps	
DIMENSIONS : [IN] MM	371-SS	REV
TOLERANCES : ±[0.020] 0.51		03/11/19
	371-SERIES	SHEET
		1 of 1



15 Corporate Drive,
Auburn Hills, MI 48326, USA
Phone: 888-337-8226, Fax: 800-682-9689
www.destaco.com

This Drawing is the Property of DESTACO.
It contains confidential, proprietary
information that is DESTACO property. Do
not disclose to or duplicate for others
except as authorized by DESTACO.