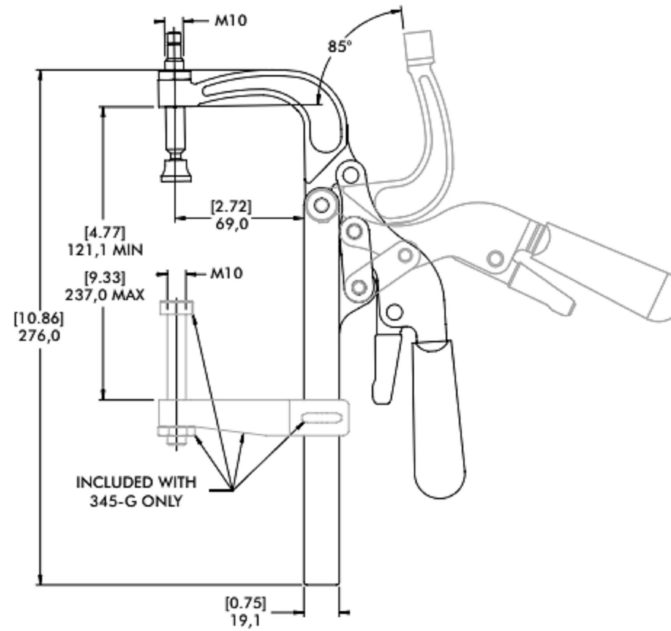
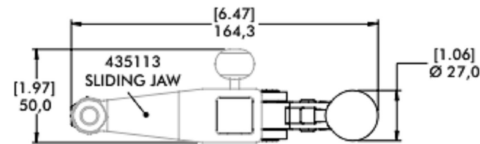


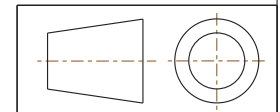
CLOSED POSITION



INCLUDED WITH  
345-G ONLY

**NOTES :**

1. MAX. HOLDING CAPACITY : 3560 N [800 lbf]
2. JAW OPENING : 85°
3. WEIGHT : 1,22 kg [2.69 lb]
4. DIMENSIONS AND TOLERANCES SUBJECT TO CHANGE WITHOUT PRIOR NOTICE



15 Corporate Drive,  
Auburn Hills, MI 48326, USA  
Phone: 888-337-8226, Fax: 800-682-9689  
www.destaco.com

This Drawing is the Property of DESTACO.  
It contains confidential, proprietary  
information that is DESTACO property. Do  
not disclose to or duplicate for others  
except as authorized by DESTACO.

COMPONENT	Squeeze Action Plier Clamps	
DIMENSIONS : [IN] MM	<b>345</b>	REV
TOLERANCES : ±[0.020] 0.51	<b>345-SERIES</b>	05/03/19
		SHEET
		1 of 1