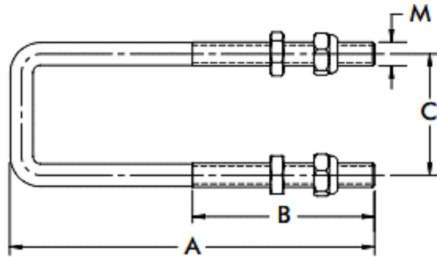
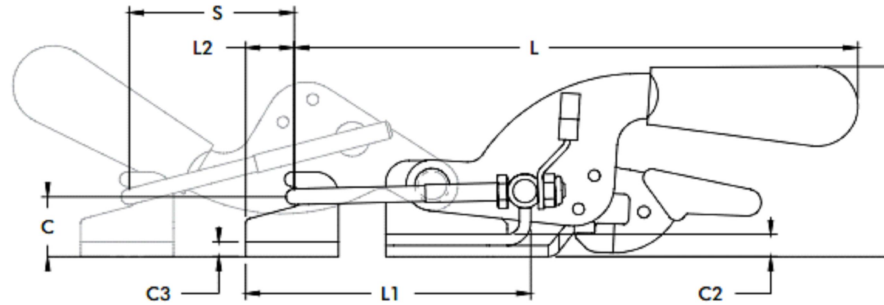
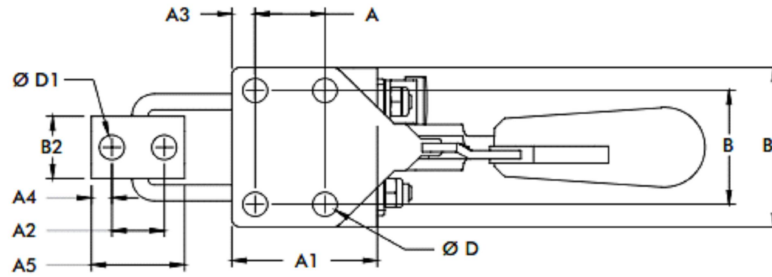
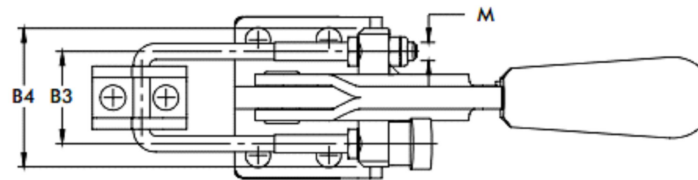


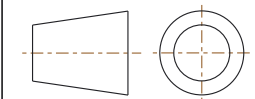
CLOSED POSITION



A	[4.31] 109,5	C	[1.75] 44,5
B	[1.97] 50	M	M8 x 1.25



A	[1.63] 41,3	C	[0.94] 23,8
A1	[2.38] 60,5	C2	[0.16] 4
A2	[0.75] 19,1	C3	[0.16] 4
A3	[0.38] 9,7	Ø D	[0.33] 8,5
A4	[0.38] 9,5	Ø D1	[0.33] 8,5
A5	[1.50] 38,1	H	[2.89] 73,4
B	[1.50] 38,1	L	[8.20] 208,3
B1	[2.12] 53,8	L1 MAX	[5.24] 133,2
B2	[1.19] 30,1	L2	[0.77] 19,4
B3	[1.75] 44,5	M	M8
B4	[2.38] 60,5	S	[2.50] 63,5



NOTES :

1. MAX. HOLDING CAPACITY : 8900 N [2000 lbf]
2. WEIGHT : 0,65 kg [1.43 lb]
3. DRAWING MOVEMENT : 63.5 [2.50]
4. DIMENSIONS AND TOLERANCES SUBJECT TO CHANGE WITHOUT PRIOR NOTICE

COMPONENT	Pull Action Latch Clamps	
DIMENSIONS : [IN] MM	341-R	REV
TOLERANCES : ±[0.020] 0.51		03/09/19
	341-SERIES	SHEET
		1 of 1



This Drawing is the Property of DESTACO. It contains confidential, proprietary information that is DESTACO property. Do not disclose to or duplicate for others except as authorized by DESTACO.