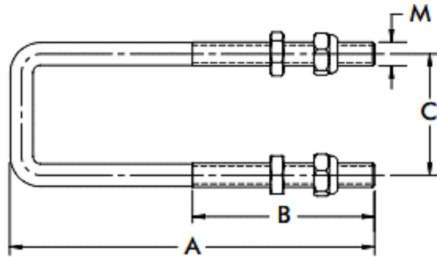
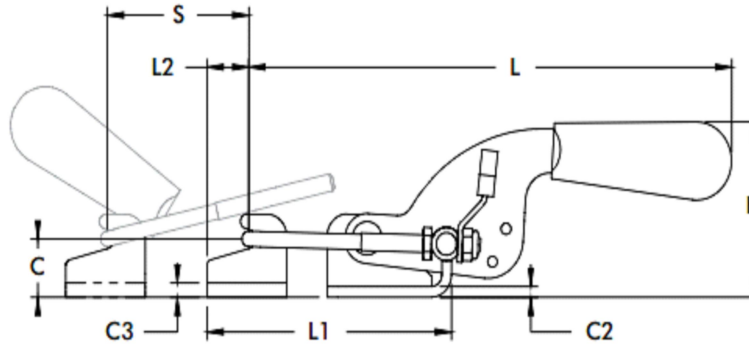
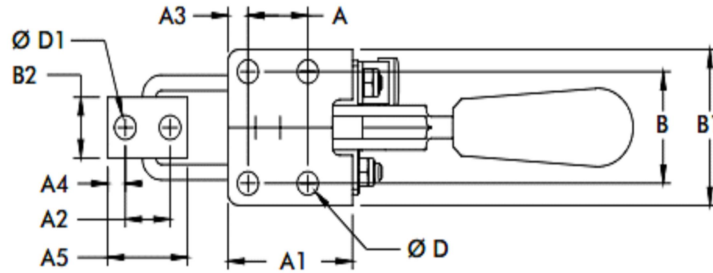
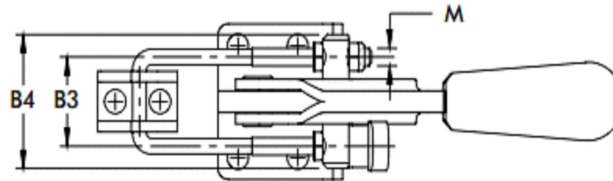


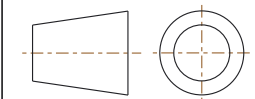
CLOSED POSITION



A	[3.00] 76,2	C	[1.00] 25,4
B	[1.50] 38,1	M	M5 x 0.8



A	[0.75] 19,1	C	[0.66] 16,7
A1	[1.56] 39,7	C2	[0.12] 3,1
A2	[0.56] 14,3	C3	[0.12] 3,1
A3	[0.25] 6,4	Ø D	[0.27] 6,7
A4	[0.22] 5,6	Ø D1	[0.27] 6,9
A5	[1.00] 25,4	H	[1.97] 50
B	[1.25] 31,8	L	[6.07] 154,2
B1	[1.74] 44,3	L1 MAX	[3.07] 78
B2	[0.68] 17,3	L2	[0.52] 13,3
B3	[1.00] 25,4	M	M5
B4	[1.50] 38,1	S	[1.75] 45,5



**NOTES :**

1. MAX. HOLDING CAPACITY : 3200 N [720 lbf]
2. WEIGHT : 0,25 kg [0.56 lb]
3. DRAWING MOVEMENT : 44,5 [1.75]
4. DIMENSIONS AND TOLERANCES SUBJECT TO CHANGE WITHOUT PRIOR NOTICE



This Drawing is the Property of DESTACO. It contains confidential, proprietary information that is DESTACO property. Do not disclose to or duplicate for others except as authorized by DESTACO.

**COMPONENT**

**Pull Action Latch Clamps**

DIMENSIONS : [IN] MM

**331**

**REV**

03/09/19

TOLERANCES : ±[0.020] 0.51

**331-SERIES**

**SHEET**

1 of 1