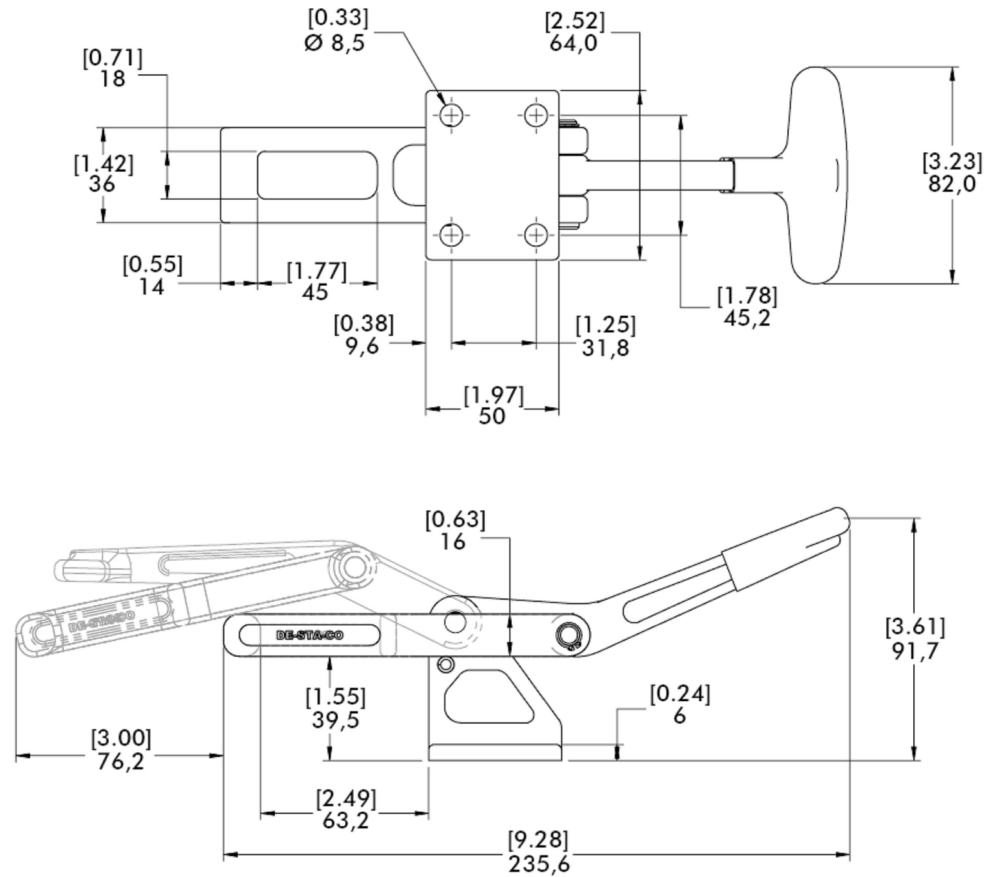
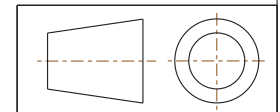



CLOSED POSITION



NOTES :

1. MAX. HOLDING CAPACITY : 8900 N [2000 lbf]
2. WEIGHT : 0,91 kg [2.00 lb]
3. DRAWING MOVEMENT : 76,2 [3.00]
4. DIMENSIONS AND TOLERANCES SUBJECT TO CHANGE WITHOUT PRIOR NOTICE



 <p>15 Corporate Drive, Auburn Hills, MI 48326, USA Phone: 888-337-8226, Fax: 800-682-9689 www.destaco.com</p>	<p>This Drawing is the Property of DESTACO. It contains confidential, proprietary information that is DESTACO property. Do not disclose to or duplicate for others except as authorized by DESTACO.</p>	COMPONENT		Pull Action Latch Clamps		
		DIMENSIONS : [IN] MM		3011		REV
		TOLERANCES : ±[0.020] 0.51		3011-SERIES		03/06/19
						SHEET
				1 of 1		