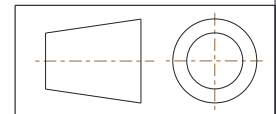
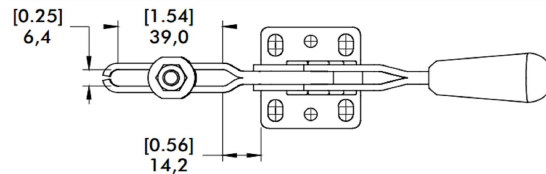
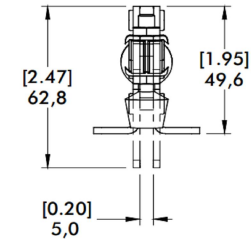
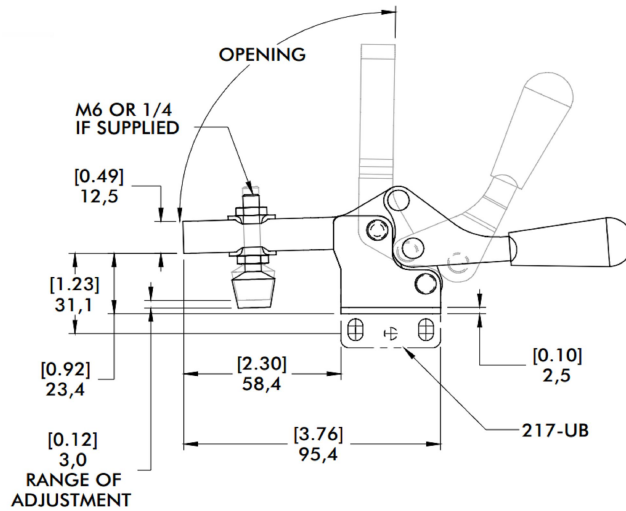
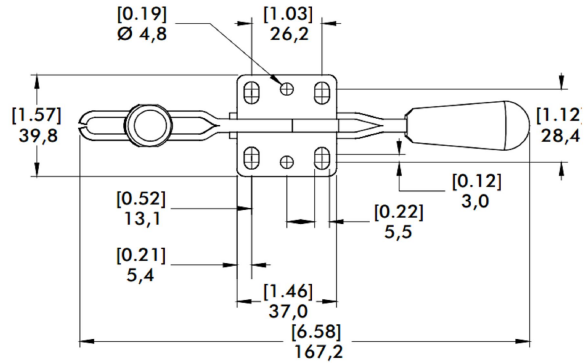


CLOSED POSITION



- NOTES:**
1. Material : STEEL
 2. Max. Holding Capacity : 1110 N [250 lbf]
 3. Weight : 0.18kg [0.40lb]
 4. Applications : Assembly, Fixtures, Closures, Woodworking
 5. All Drawing Dimensions are in [Inches] mm

DESTACO
A STABILUS COMPANY

15 Corporate Drive,
Auburn Hills, MI 48326, USA
Phone: 888-337-8226, Fax: 800-682-9689
www.destaco.com

This Drawing is the Property of DESTACO.
It contains confidential, proprietary
information that is DESTACO property. Do
not disclose to or duplicate for others
except as authorized by DESTACO.

COMPONENT	Horizontal Hold Down Clamps	
DIMENSIONS : [IN] MM	217-USS	REV
TOLERANCES : ±[0.020] 0.51		03/08/19
	217-SERIES	SHEET
		1 of 1