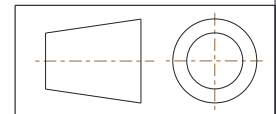
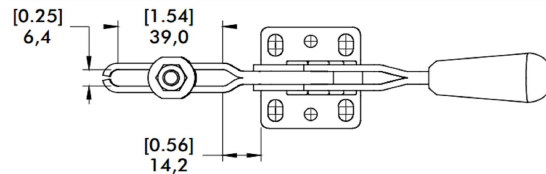
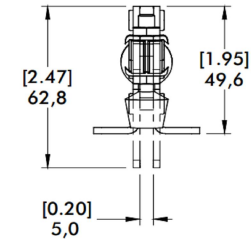
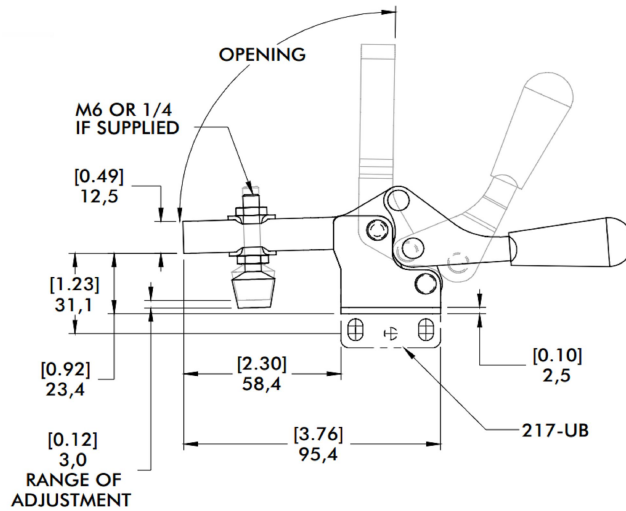
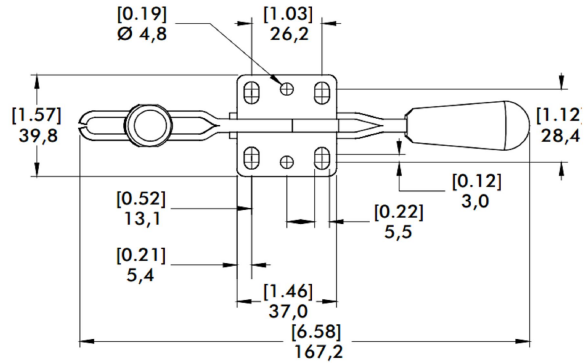


CLOSED POSITION



- NOTES:**
1. Material : STEEL
 2. Max. Holding Capacity : 900 N [200 lbf]
 3. Weight : 0.18kg [0.40lb]
 4. Applications : Assembly, Fixtures, Closures, Woodworking
 5. All Drawing Dimensions are in [Inches] mm

COMPONENT		Horizontal Hold Down Clamps	
DIMENSIONS : [IN] MM	TOLERANCES : ±[0.020] 0.51	217-UB	REV
		217-SERIES	03/08/19
			SHEET
			1 of 1



15 Corporate Drive,
Auburn Hills, MI 48326, USA
Phone: 888-337-8226, Fax: 800-682-9689
www.destaco.com

This Drawing is the Property of DESTACO.
It contains confidential, proprietary
information that is DESTACO property. Do
not disclose to or duplicate for others
except as authorized by DESTACO.