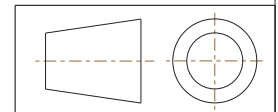
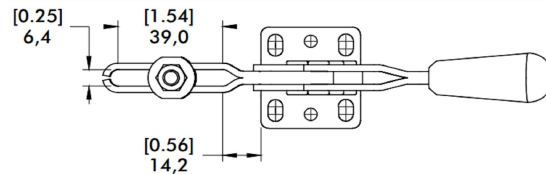
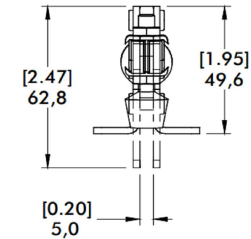
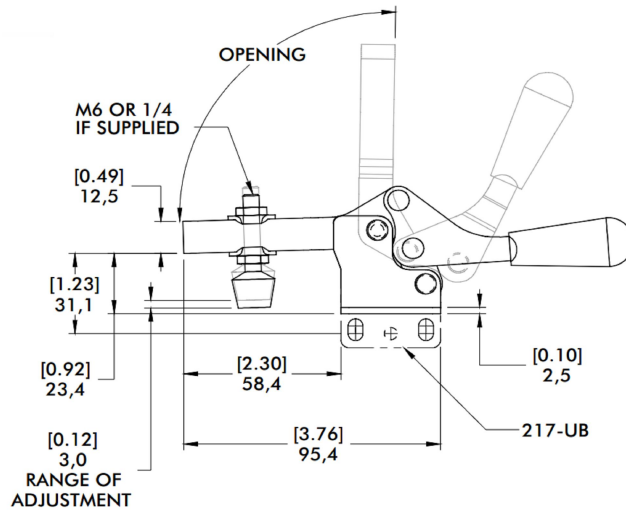
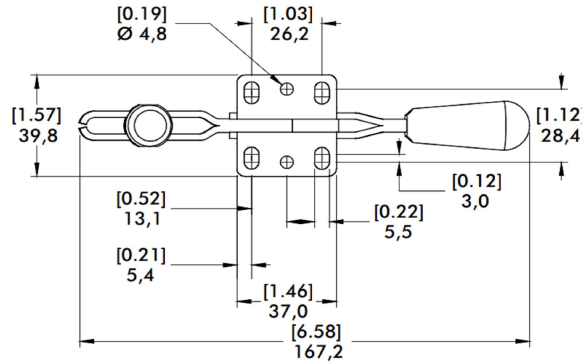


CLOSED POSITION



**NOTES:**

1. Material : STEEL
2. Max. Holding Capacity : 900 N [200 lbf]
3. Weight : 0.18kg [0.40lb]
4. Applications : Assembly, Fixtures, Closures, Woodworking
5. All Drawing Dimensions are in [Inches] mm



15 Corporate Drive,  
Auburn Hills, MI 48326, USA  
Phone: 888-337-8226, Fax: 800-682-9689  
www.destaco.com

This Drawing is the Property of DESTACO.  
It contains confidential, proprietary  
information that is DESTACO property. Do  
not disclose to or duplicate for others  
except as authorized by DESTACO.

**COMPONENT**

Horizontal Hold Down Clamps

DIMENSIONS : [IN] MM

**217-U**

**REV**

03/08/19

TOLERANCES : ±[0.020] 0.51

**217-SERIES**

**SHEET**

1 of 1