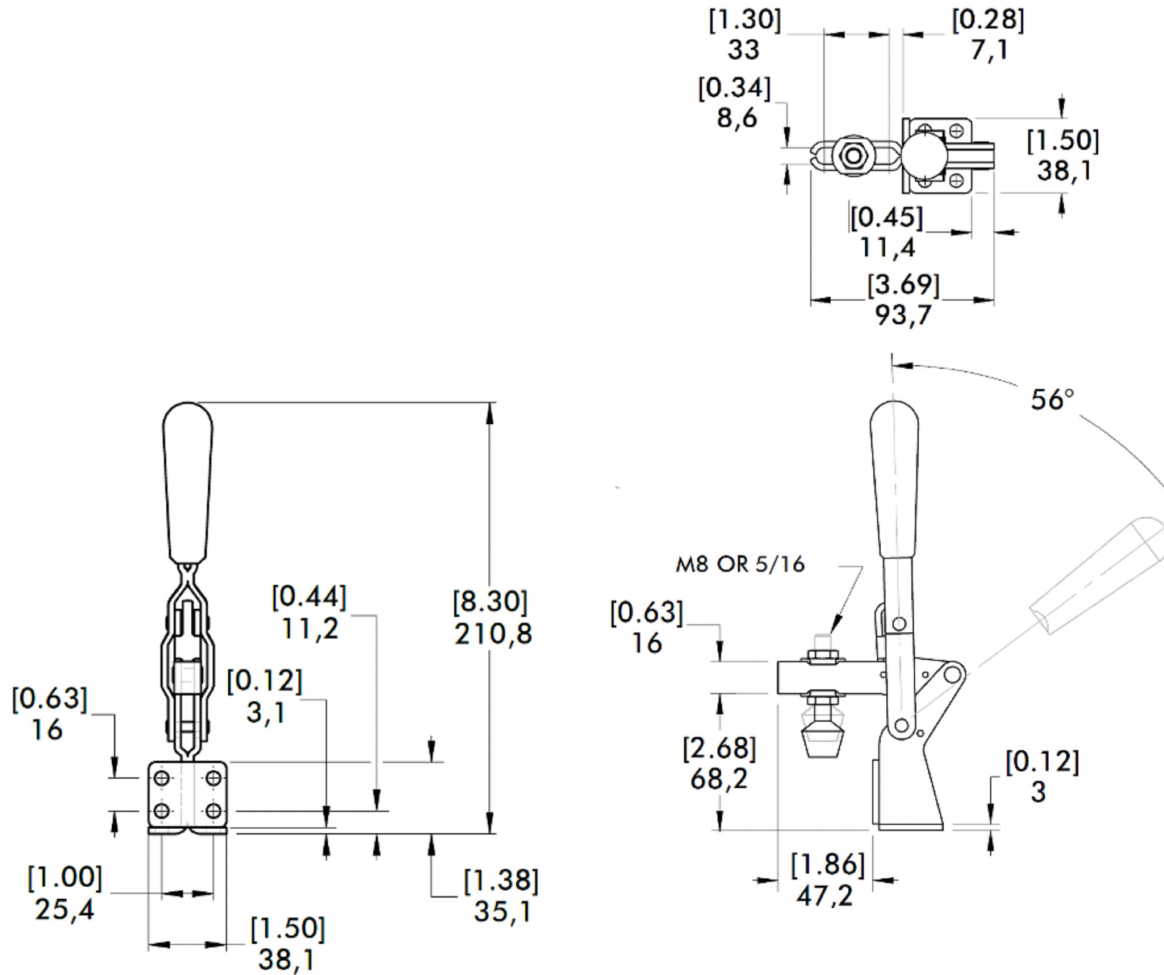
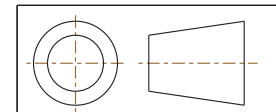


CLOSED POSITION



NOTES :

1. MAX. HOLDING CAPACITY : 1670 N [375 lbf]
2. CLAMP BAR OPENING (+ 10°) : 96°
3. HANDLE OPENING (+ 10°) : 56°
4. WEIGHT : 0,43 kg [0,94 lb]
5. DIMENSIONS AND TOLERANCES SUBJECT TO CHANGE WITHOUT PRIOR NOTICE



COMPONENT

Vertical Hold Down Clamps

DIMENSIONS : [IN] MM

207-UF

REV

TOLERANCES : ±[0.020] 0.51

207-SERIES

03/25/19

SHEET

1 of 1



15 Corporate Drive,
Auburn Hills, MI 48326, USA
Phone: 888-337-8226, Fax: 800-682-9689
www.destaco.com

This Drawing is the Property of DESTACO.
It contains confidential, proprietary
information that is DESTACO property. Do
not disclose to or duplicate for others
except as authorized by DESTACO.