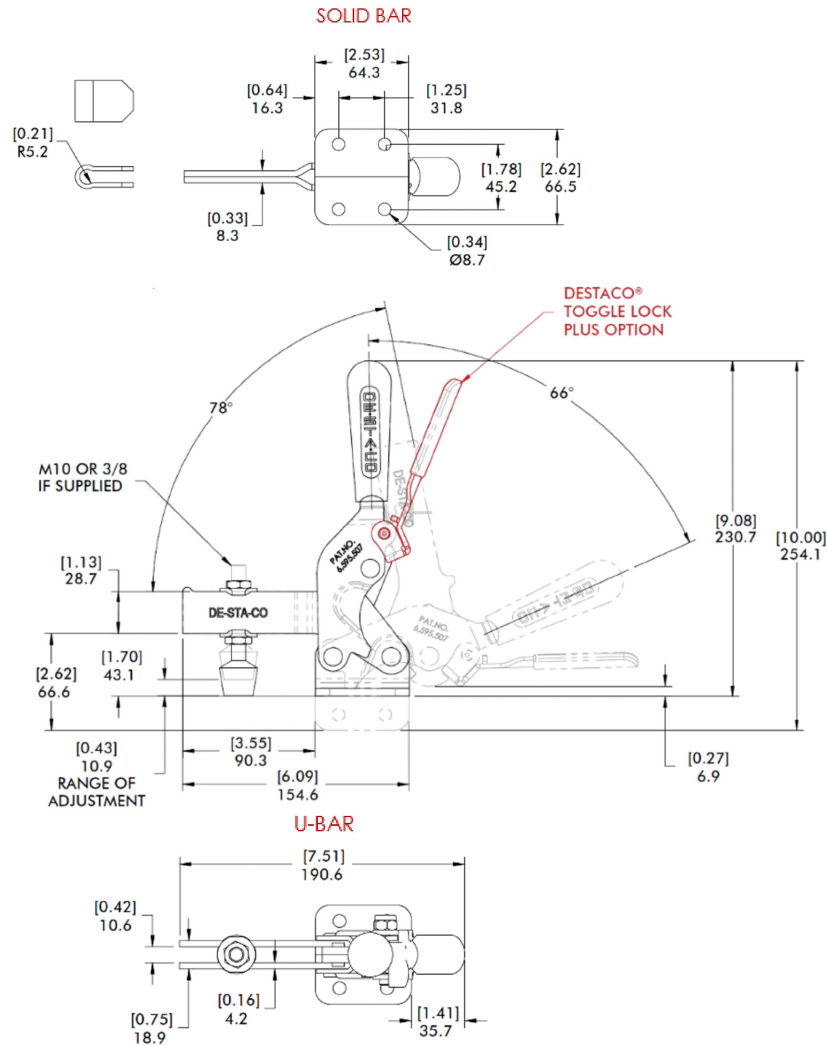
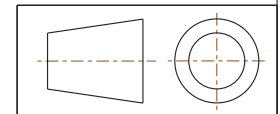


CLOSED POSITION



NOTES :

1. MAX. HOLDING CAPACITY : 6230 N [1400 lbf]
2. CLAMP BAR OPENING (+ 10°) : 78°
3. HANDLE OPENING (+ 10°) : 66°
4. WEIGHT : 1,16 kg [2.56 lbs]
5. DIMENSIONS AND TOLERANCES SUBJECT TO CHANGE WITHOUT PRIOR NOTICE



COMPONENT		Vertical Hold Down Clamps	
DIMENSIONS : [IN] MM	2010-UB	REV	03/25/19
TOLERANCES : ±[0.020] 0.51		SHEET	1 of 1
2010-SERIES			



15 Corporate Drive,
Auburn Hills, MI 48326, USA
Phone: 888-337-8226, Fax: 800-682-9689
www.destaco.com

This Drawing is the Property of DESTACO.
It contains confidential, proprietary
information that is DESTACO property. Do
not disclose to or duplicate for others
except as authorized by DESTACO.