

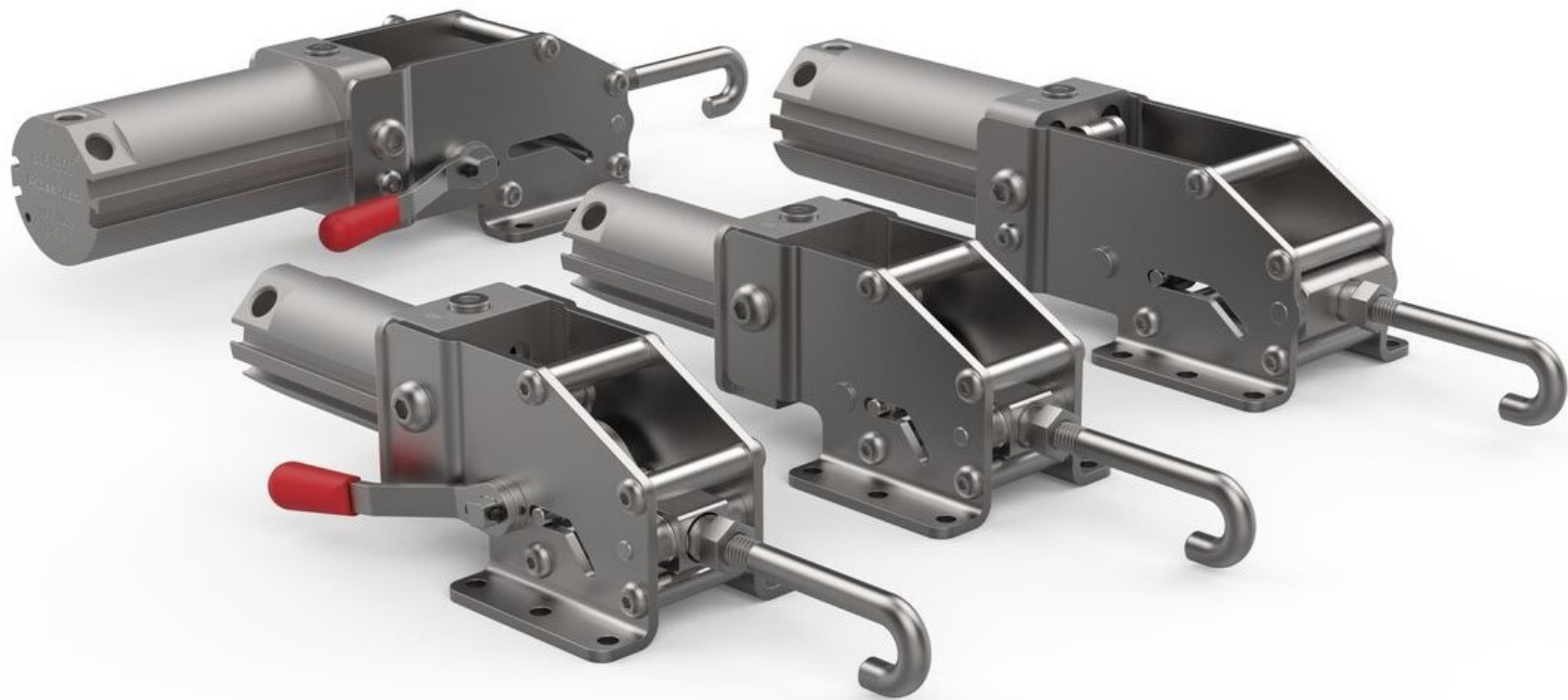
Pneumatic Toggle Clamps

01/28/2025



info@cesehsa.com.mx

cesehsa.com.mx



8051, 8331 SERIES

Pneumatic Pull Action Latch Clamps | Product Overview

Features:

- Pneumatic version of 3051 & 3031
- Sensor ready for T-slot or round sensors

Applications:

- Assembly
- Automated latching

Also Available:

Optional handle for manual positioning -H, -EH

8051
8051-E



8051-H
8051-EH



8331
8331-E



8331-H
8331-EH



Technical Information | Holding Capacities

Model	Holding Capacity	Exerting Force @ 5.5 bar [80 PSI]	Weight	Ø Bore Size	Pull Stroke	Arm Opening	Port Size	Air Consumption
8051							1/8 NPT	[0.003 cfm] 0,005 cubic m/hr
8051-H	[600 lbf] 2669 N	[409 lbf] 1819 N	[2.56 lb] 1.16 kg	[1.26 in] 32 mm	[0.69 in] 17.5 mm	35°-30°	G-1/8	
8051-E								
8051-EH								
8331							1/8 NPT	[0.001 cfm] 0,001 cubic m/hr
8331-H	[450 lbf] 2002 N	[302 lbf] 1343 N	[2.12 lb] 0.96 kg	[0.79 in] 20 mm	[0.37 in] 9.3 mm	32°-27°	G-1/8	
8331-E								
8331-EH								

ⓘ This item is available upon request.

Max Cylinder Pressure: 8.3 bar [120 psig]

Min Cylinder Pressure: 2.8 bar [40 psig]

Max Operating Temp: -10°C to 90°C [-14°F to 194°F]

Replacement Seal Kit: 8051: 807450-32-1-00
8331: 802550-20-1-00

Sensor Accessories

Ø4mm Sensor with Quick Disconnect

3x6mm T Slot Sensor with Quick Disconnect

Quick Disconnect 2M Extension Cable

Quick Disconnect 5M Extension Cable

Item Number

810169

8EA-109-1

CABL-010

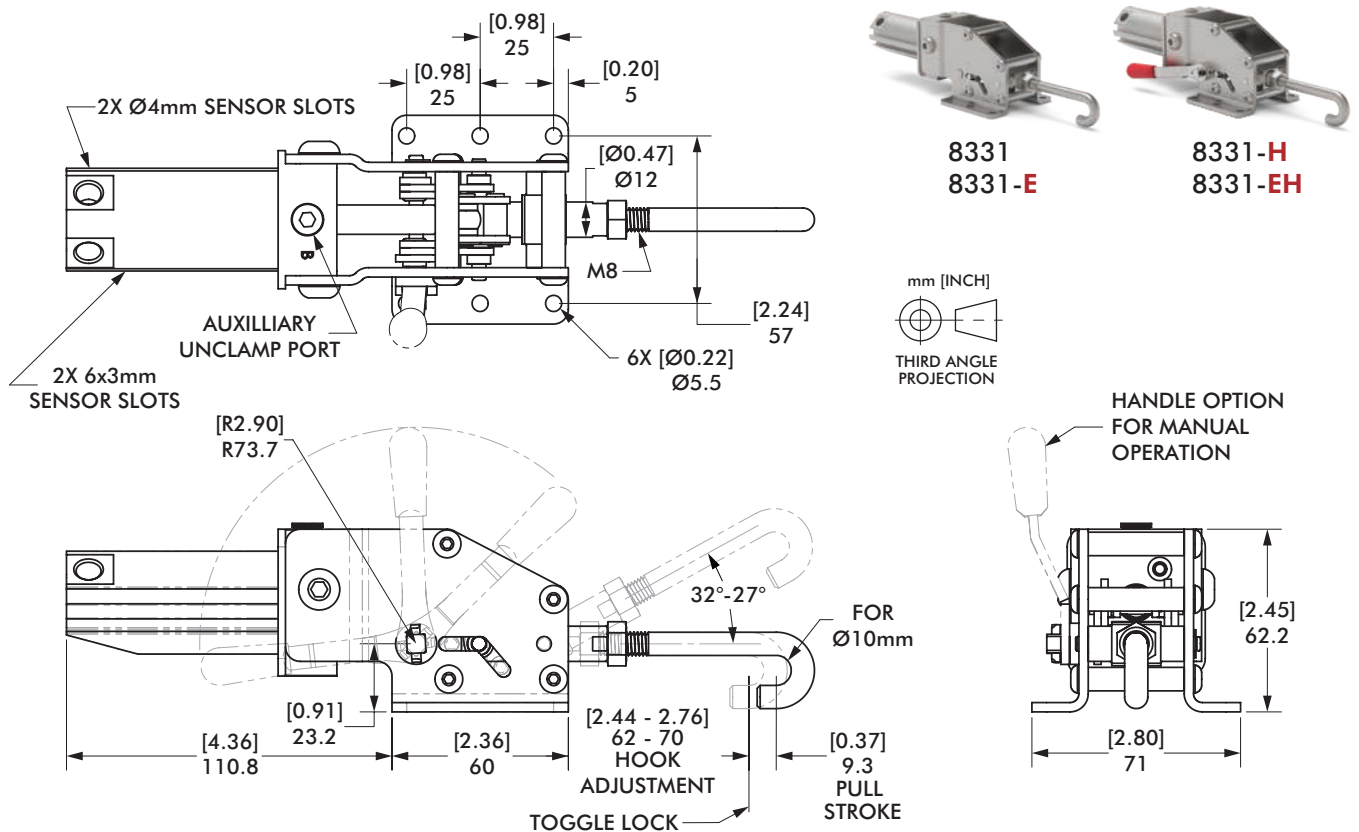
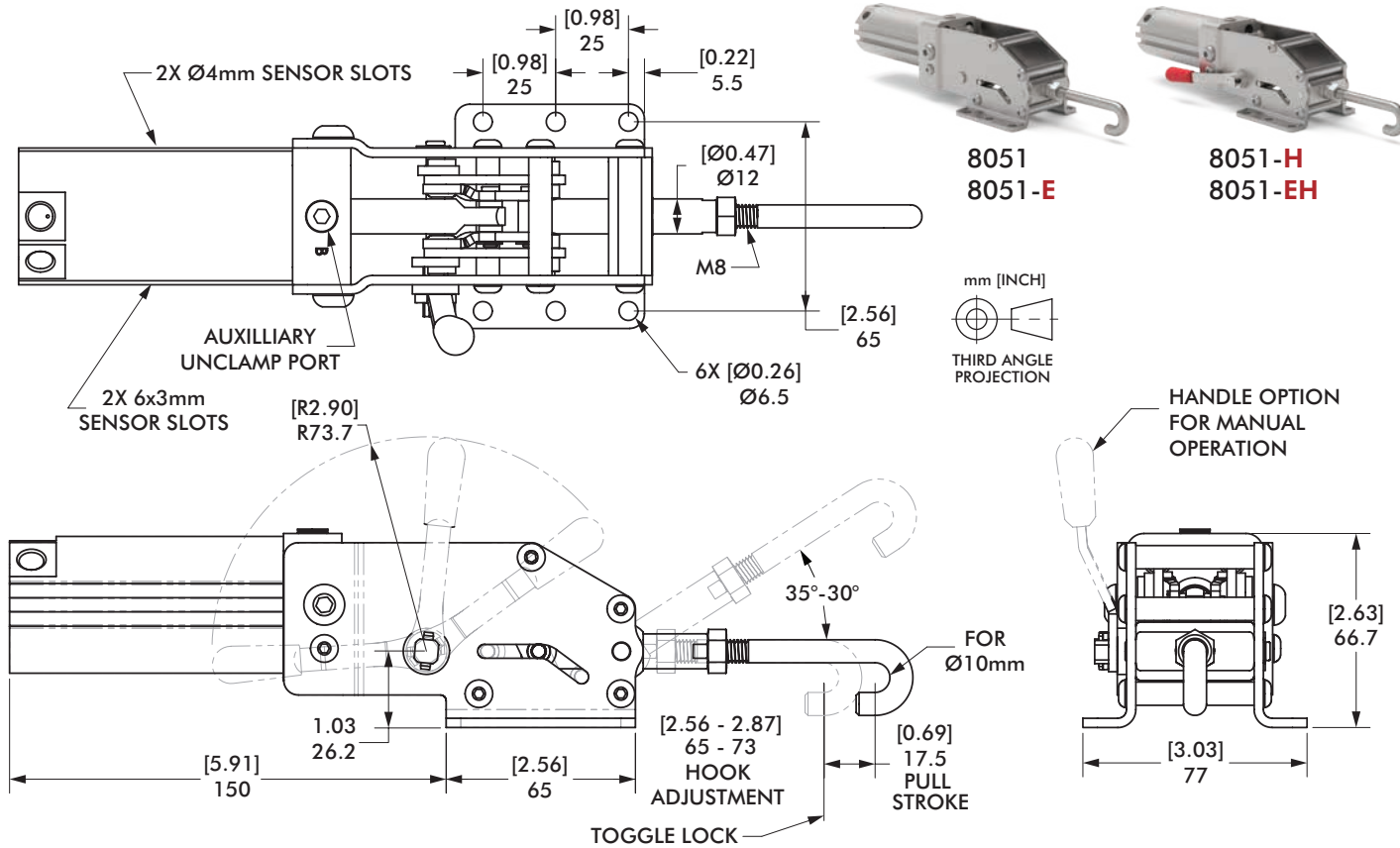
CABL-013

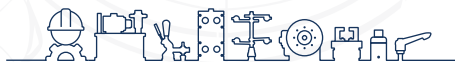
Force Throughout Pull Stroke

		8331				8051				
		[40 psi] 2.8 bar	[60 psi] 4.1 bar	[80 psi] 5.5 bar	[100 psi] 6.9 bar	0 LOCK	[40 psi] 2.8 bar	[60 psi] 4.1 bar	[80 psi] 5.5 bar	[100 psi] 6.9 bar
DISTANCE FROM LOCK	0 LOCK	[135 lbs] 601 N	[218 lbs] 970 N	[302 lbs] 1343 N	[381 lbs] 1695 N	0 LOCK	[234 lbs] 1041 N	[316 lbs] 1406 N	[409 lbs] 1819 N	[517 lbs] 2300 N
	[0.059] 1.5	[35 lbs] 156 N	[67 lbs] 298 N	[95 lbs] 423 N	[120 lbs] 534 N	[0.098] 2.5	[58 lbs] 258 N	[112 lbs] 498 N	[158 lbs] 703 N	[198 lbs] 881 N
	[0.118] 3	[26 lbs] 116 N	[41 lbs] 182 N	[63 lbs] 280 N	[81 lbs] 360 N	[0.197] 5	[41 lbs] 182 N	[68 lbs] 302 N	[103 lbs] 458 N	[136 lbs] 605 N
	[0.177] 4.5	[23 lbs] 102 N	[39 lbs] 173 N	[51 lbs] 227 N	[65 lbs] 289 N	[0.295] 7.5	[36 lbs] 160 N	[61 lbs] 271 N	[85 lbs] 378 N	[111 lbs] 494 N
	[0.236] 6	[21 lbs] 93 N	[28 lbs] 125 N	[46 lbs] 205 N	[57 lbs] 254 N	[0.394] 10	[42 lbs] 187 N	[52 lbs] 231 N	[82 lbs] 365 N	[100 lbs] 445 N
	[0.295] 7.5	[20 lbs] 89 N	[29 lbs] 129 N	[47 lbs] 209 N	[59 lbs] 262 N	[0.492] 12.5	[35 lbs] 156 N	[51 lbs] 227 N	[81 lbs] 360 N	[99 lbs] 440 N
	[0.354] 9	[17 lbs] 76 N	[28 lbs] 125 N	[34 lbs] 151 N	[39 lbs] 173 N	[0.591] 15	[51 lbs] 227 N	[68 lbs] 302 N	[93 lbs] 414 N	[99 lbs] 440 N
						[0.689] 17.5	[34 lbs] 151 N	[56 lbs] 249 N	[100 lbs] 445 N	[113 lbs] 503 N

8051, 8331 SERIES

Pneumatic Pull Action Latch Clamps | Dimensions | -E/-H/-EH





inf @ /CESEHSA.com.mx

