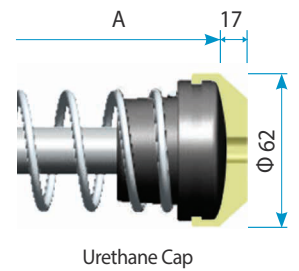
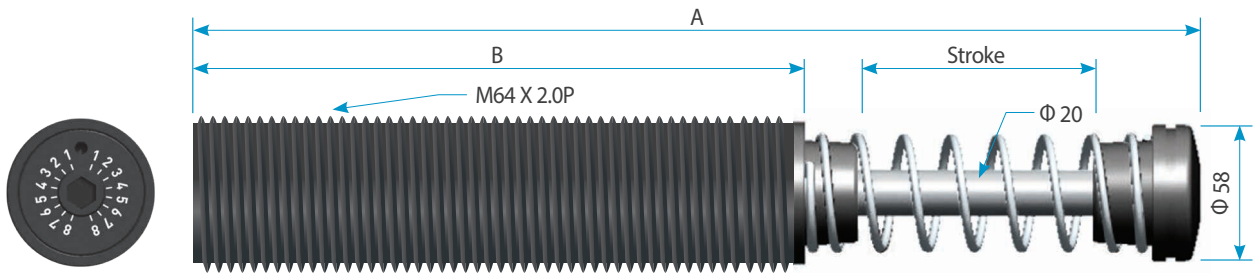


MDA 64 Series

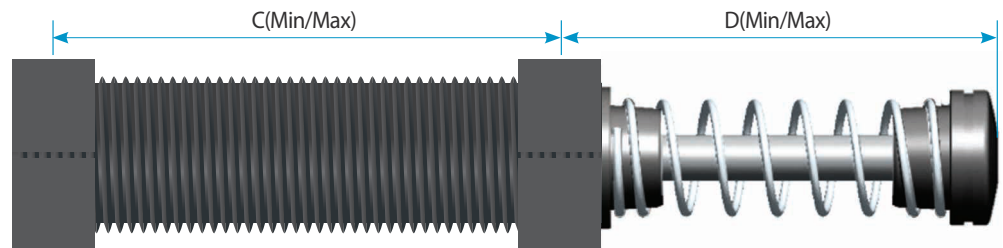
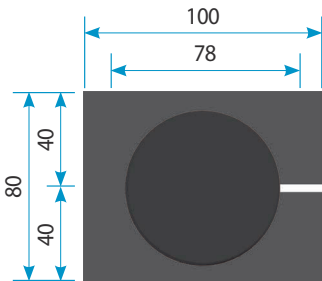


Engineering Data

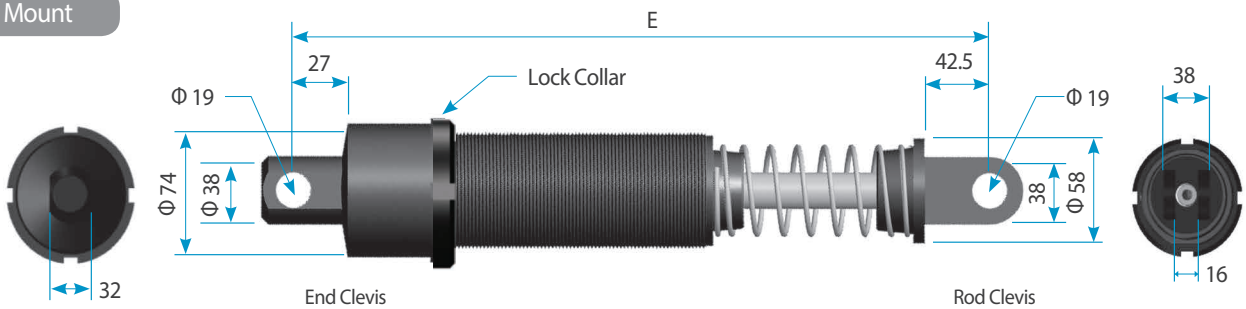
Model	Stroke(mm)	Max.Energy/Cycle (Nm)	Max.Energy/Hour (Nm/h)	Effective Weight (kg)	Recoil Force (N)		Weight (kg)
					Ext.	Comp.	
MDA64-50	50	2,220	215,000	178-49,330	61	133	3.2
MDA64-100	100	4,400	316,000	352-97,778	59	160	3.9
MDA64-150	150	6,800	408,000	554-151,110	51	167	8.8



Clamp Mount



Clevis Mount



Dimensions

Model	Stroke	A	B	C	D	E
MDA64-50	50	239	135.5	25/110.5	117.5/160.25	303
MDA64-100	100	375	214.5	25/189.5	174.5/256.75	439
MDA64-150	150	518.5	294.5	25/269.5	238/360.25	-