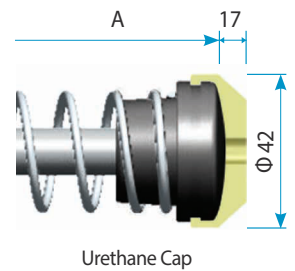
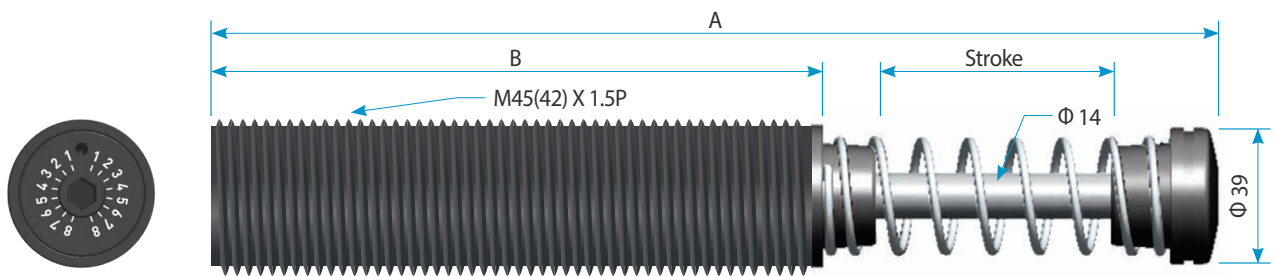


MDA 45 Series

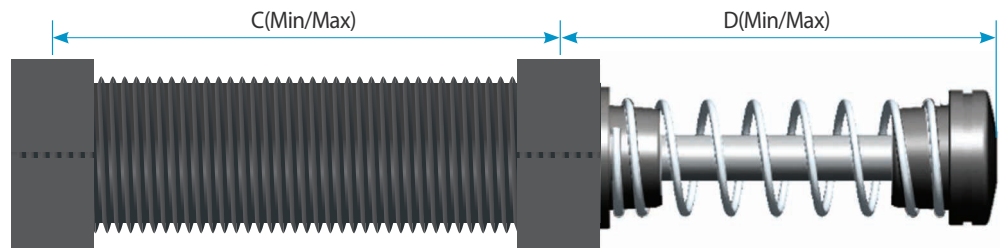
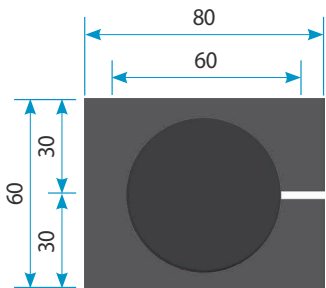


Engineering Data

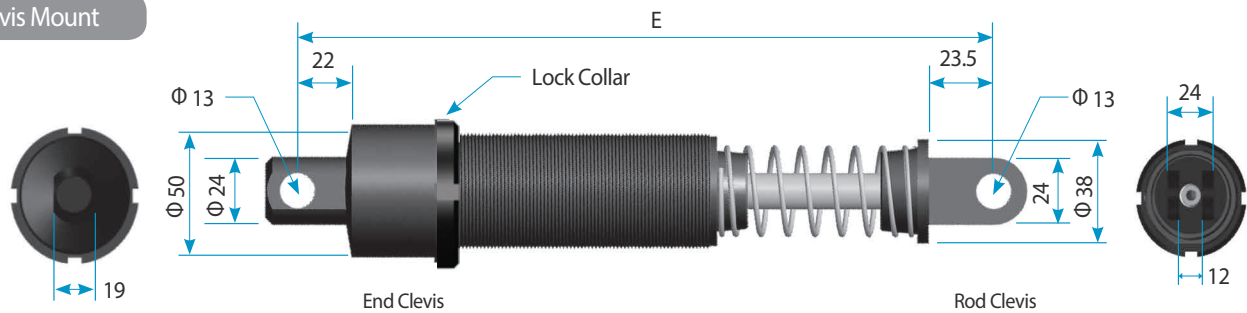
Model	Stroke(mm)	Max.Energy / Cycle (Nm)	Max.Energy / Hour (Nm / h)	Effective Weight (kg)	Recoil Force (N)		Weight (kg)
					Ext.	Comp.	
MDA45-25	25	570	170,000	46-12,667	50	83	1.1
MDA45-50	50	1,150	230,000	92-25,550	46	84	1.3
MDA45-75	75	1,750	263,000	140-38,890	44	86	1.5



Clamp Mount



Clevis Mount



Dimensions

Model	Stroke	A	B	C	D	E
MDA45-25	25	159.5	93	25 / 68	79.5 / 100.5	206
MDA45-50	50	220.5	129	25 / 104	104 / 143.5	267
MDA45-75	75	292.5	168.5	25 / 143.5	129 / 170.75	339